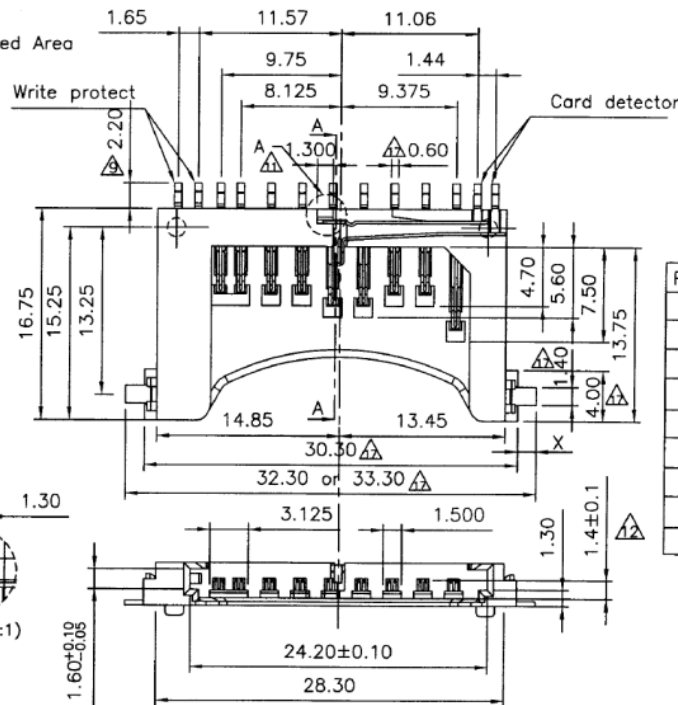
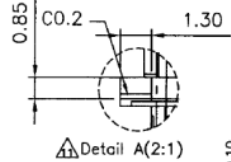
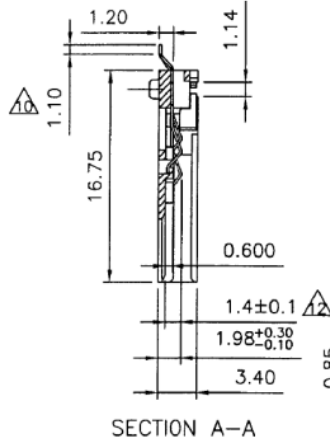
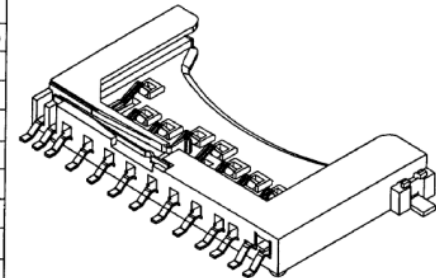


RECOMMENDED P.C.B LAYOUT  
TOLERANCES: ±0.05mm



**SPECIFICATION**  
**MATERIAL**  
 Insulator: Thermal Plastic UL94V-0  
 Contacts: Copper Alloy  
 Boardlock: Copper Alloy  
**CONTACT PLATING**  
 Underplate: 50u"~100u" Nickel  
 Contact Area: 1u"~30u" Selective Gold  
 Solder Tails Area: 100u"~200u" Tin/Lead or 100u"~200u" Tin(Lead Free)  
**ELECTRICAL**  
 Current Rating: 1 Amps Max.  
 Contact Resistance: 100 mohms Max.  
 Insulation Resistance: 1000 Mohms Min.  
**MECHANICAL**  
 Mating Cycle: 10000 Cycles Minute  
 Operating temperature: -40°C To +85°C

PIN#	NAME
1	CD/DAT3
2	CMD
3	VSS1
4	VDD
5	CLK
6	VSS2
7	DAT0
8	DAT1
9	DAT2



**RoHS Compliant**

TOLERANCES ARE

**MORETHANALL**  
PCB CONNECTORS  
Cable ASSEMBLIES

煜倫股份有限公司

www.morethanall.com

DRAWING BY CY

CHECKED BY GENIUS

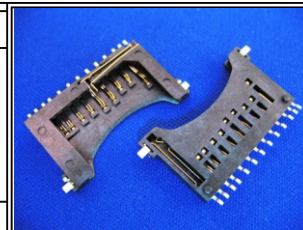
UNIT/ mm SCALE 1:1

DATE

SIZE A4

PJECTION

X. ± 0.50  
 .X ± 0.30  
 .XX ± 0.20  
 .XXX ±  
 ANG ± 5°



**ORDER INFORMATION**

SDC-W25XB-09-LF  
 SERIES | | | LEADFREE  
 | | | 09WAY  
 | | | B TYPE  
 90°SMT | | NON PUSH  
 | | | POST TO POST 25.3mm

DESCRIPTION: