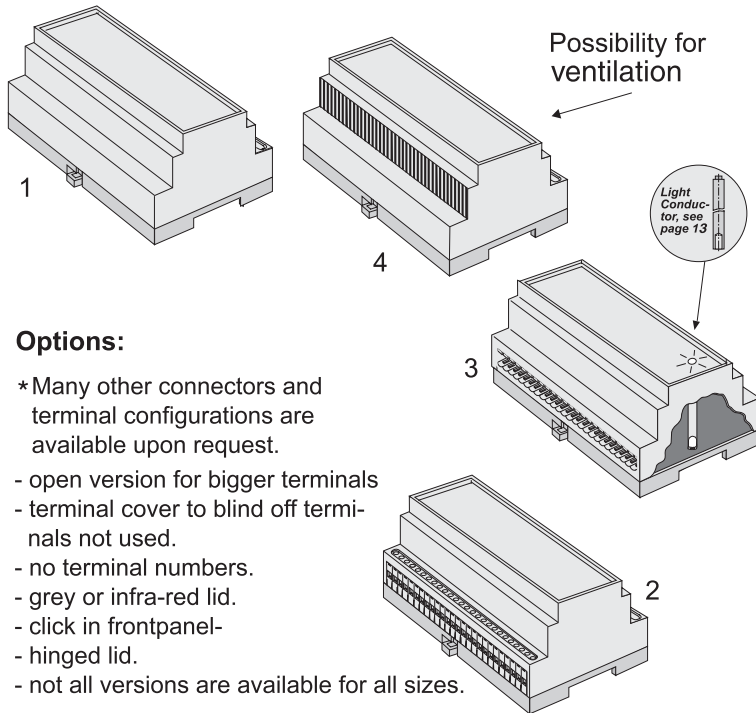


9 MODULE ENCLOSURES FOR M36 DIN-RAIL

SERIES 1570



Options:

- * Many other connectors and terminal configurations are available upon request.
- open version for bigger terminals
- terminal cover to blind off terminals not used.
- no terminal numbers.
- grey or infra-red lid.
- click in frontpanel-
- hinged lid.
- not all versions are available for all sizes.

Module enclosure for M36 DIN-rail. Series 1570 is, if requested, available in several colours and with customer specified holes in the front. Lid, PCB, customized label and packing is available. Possibility for both base and top PCB. A closed version without terminals is also available. Trimmer and spindles that fit the height of the box are available.

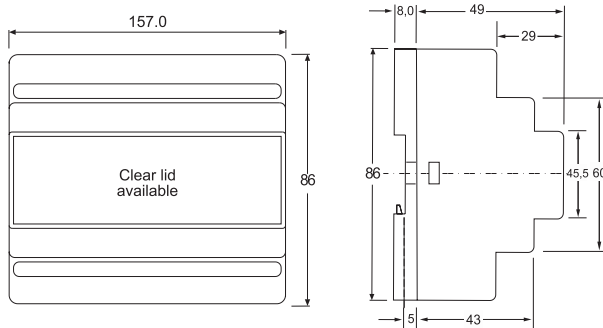
TECHNICAL DATA:

TOP PART:

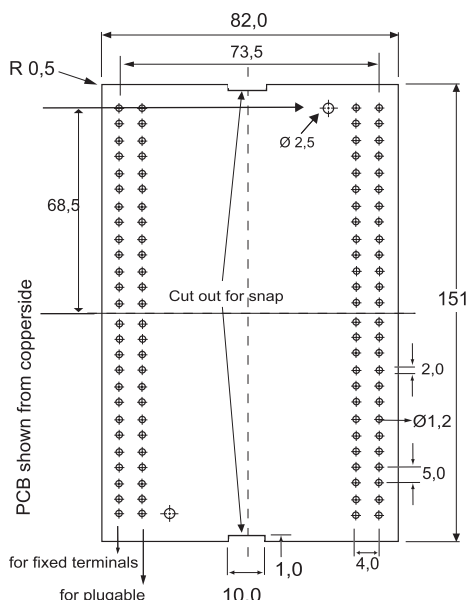
Material: Lexan 940
 Colour: Grey (RAL 7035)
 Max. temperature: 100°C
 Width: 157 mm
 (9 modules)
 Label measurement: 41.0 x 152.0 mm
 Self-extinguishing: Acc. to UL94-V0

BASE PART:

Material: Noryl VO 1550
 Colour: Black (RAL 7021)
 Max. temperature: 100°C
 Max. wire dia.: 2 x 2.5 mm²
 Max. load: 16A (for higher load please enquire)
 Terminals: 52 fixed or pluggable
 Mounting: DIN-rail (EN50022)
 Self-extinguishing: Acc. to UL94-V0



HORIZONTAL PCB DIMENSIONS:



• All measurements are in mm.

TYPE 1570:	ORDER CODE:
Complete, 257 for pluggable	p/n 4969101571
Complete, 257 ventilated	p/n 4969101576
Complete, 605 for fixed terminals	p/n 4969101572
Complete, 605 ventilated	p/n 4969101575
Complete, closed, no terminals	p/n 4969101570
Complete, closed ventilated	p/n 4969101577
Top part, grey, 605 / 250, fixed terminals	p/n 4969001572
Top part, grey, 257, pluggable	p/n 4969001571
Top part, grey, closed, no terminals	p/n 4969001570
Base part with clip and 2 screws	p/n 4969021571
Base part	p/n 4969021570
DIN-rail clip for 1570	p/n 0669000604
Transparent lid for 1570	p/n 4969011570
Packing for 1570	p/n 2068157000
Raw PCB for 1570	p/n 4999001570
Terminal for 1570, 257/13, HO/A, PCB part	p/n 1155713580
Terminal for 1570, 256/13, wire part	p/n 1155613080
Terminal for 1570, 605/13, fixed terminals	p/n 3950141308
Terminal for 1570, 278/1 CT 5.00 screw-less type	p/n 1157801150
Screw/selfcutting 2 pcs.	p/n 7006102965