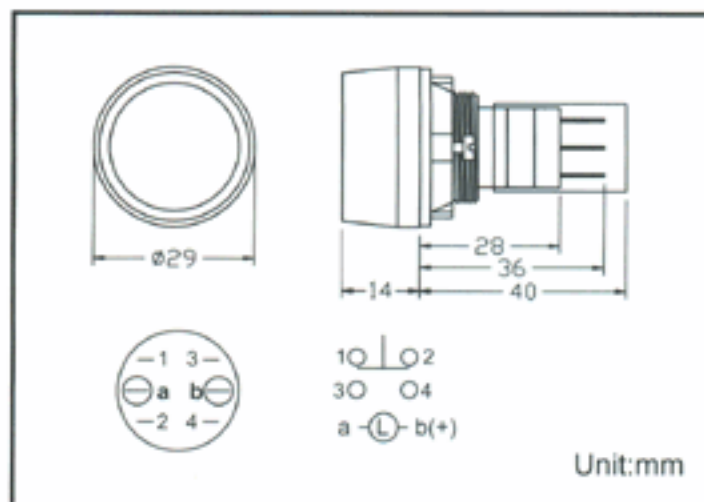
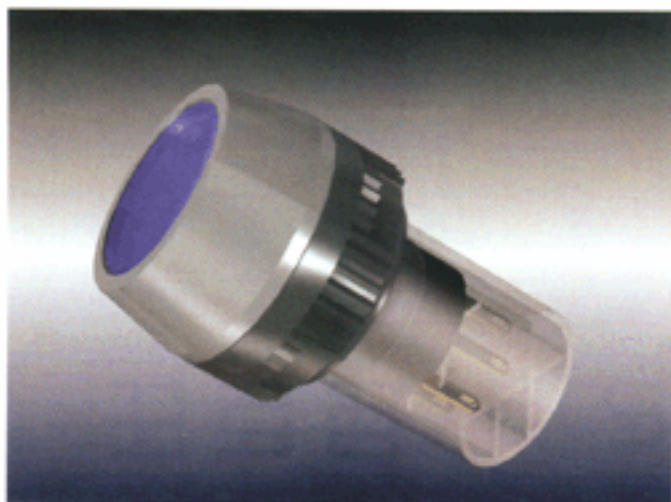


# Ø 22 PILOT INDICATOR & SOCKET TYPE ILLUMINATED SWITCHES



## P16 SOCKET TYPE ILLUMINATED SWITCHES

Description	Type	Contact block diagram (button not depressed)	Mounting Length	Model
Indicator			27	
Illuminated or non-illuminated pushbutton 1 pole momentary action	SPST		40	1ab
Illuminated or non-illuminated pushbutton 1 pole alternate action	SPST		40	1ab