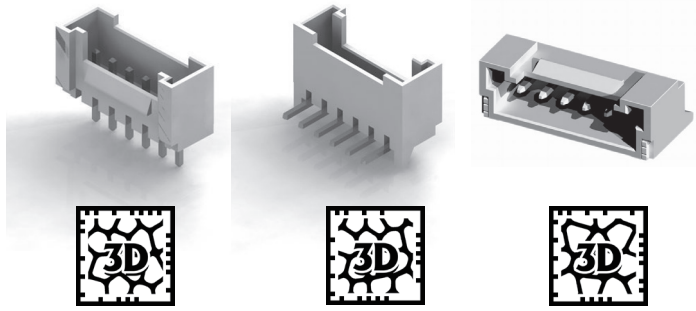


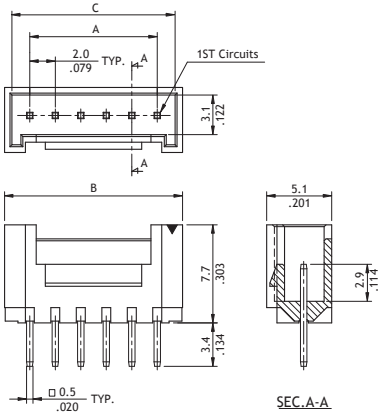
CI06 Series 2.00mm(.079") Wire to Board Connectors DIP & SMT Headers

- With locks provide secure mating
- Mate with CI06 housing
- Insulator: Polyamide UL 94V-0 , Color Nature
- With Tin plated 0.5mm square pin

RoHS Compliant  

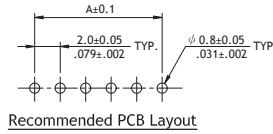
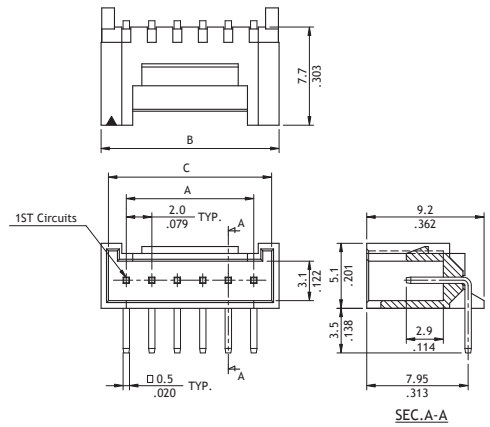


Straight DIP

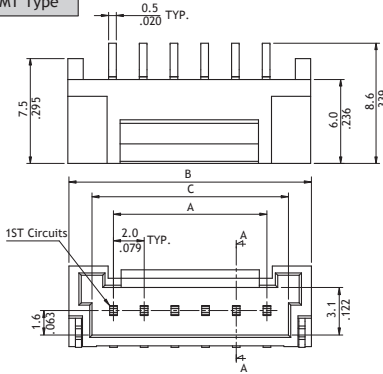


Circuits	Dimension		
	A	B	C
2	2.0(.079)	5.96(.235)	4.8(.189)
3	4.0(.157)	7.96(.313)	6.8(.268)
4	6.0(.236)	9.96(.392)	8.8(.346)
5	8.0(.315)	11.96(.471)	10.8(.425)
6	10.0(.394)	13.96(.550)	12.8(.504)
7	12.0(.472)	15.96(.628)	14.8(.583)
8	14.0(.551)	17.96(.707)	16.8(.661)
9	16.0(.630)	19.96(.786)	18.8(.740)
10	18.0(.709)	21.96(.865)	20.8(.819)
11	20.0(.787)	23.96(.943)	22.8(.898)
12	22.0(.866)	25.96(1.022)	24.8(.976)
13	24.0(.945)	27.96(1.101)	26.8(1.055)
14	26.0(1.024)	29.96(1.180)	28.8(1.134)
15	28.0(1.102)	31.96(1.258)	30.8(1.213)
16	30.0(1.181)	33.96(1.337)	32.8(1.291)

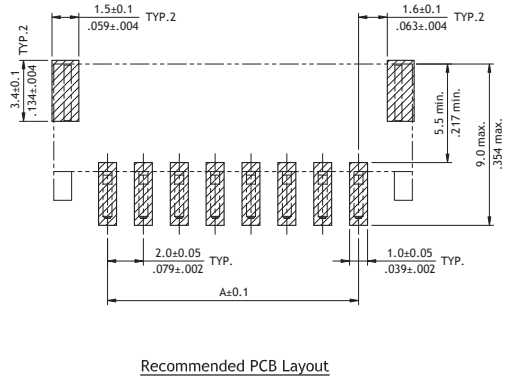
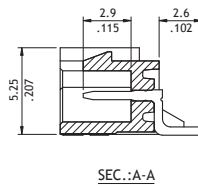
Right Angle DIP



SMT Type



A = 2.0 x No. of Spaces
 B = A + 5.8
 C = A + 2.8



Ordering Code

① ② ③ ④ ⑤ ⑥ ⑦
CI06 16 P 1 V 00 - NH

- ① Series No.
- ② No. of Circuits: 02 to 16
- ③ S = Housing
- ④ Plating Code: 1 = Matte Tin over Nickel
- ⑤ Type: V = Straight ; H = Right Angle
- ⑥ Other Options: 00 = Standard
- ⑦ Process: -LF = For Lead Free soldering process
 -NH = For Lead Free soldering process and Halogen-Free
 *Special options consult manufacturer

① ② ③ ④ ⑤ ⑥ ⑦ ⑧
CI06 15 M 1 H R 0 - NH

- ① Series No.
- ② No. of Circuits: 02 to 15
- ③ M = SMT Type
- ④ Plating Code: 1 = Matte Tin over Nickel
- ⑤ Type: H = Side Entry
- ⑥ Packing: R = Tape & Reel ; T = Tube
- ⑦ Other Options: 0 = Standard
- ⑧ Process: -LF = For Lead Free soldering process
 -NH = For Lead Free soldering process and Halogen-Free