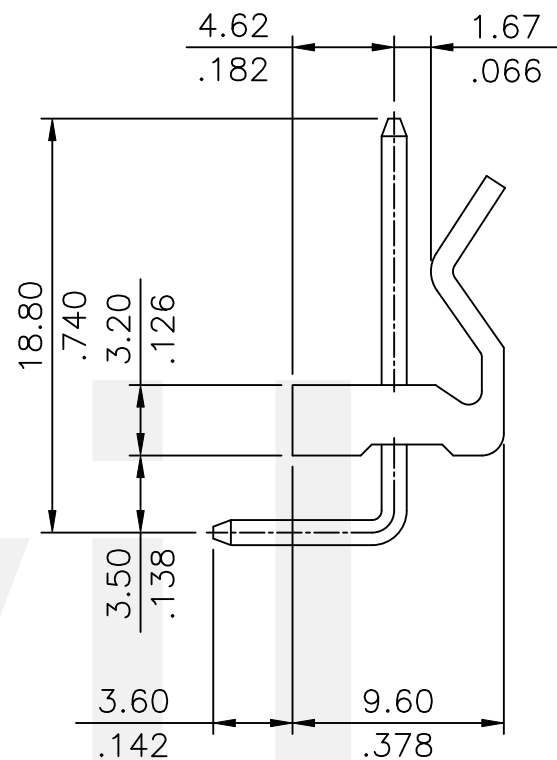


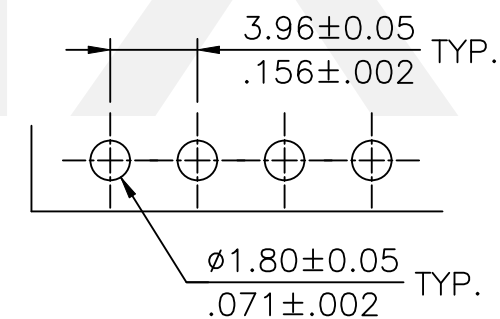
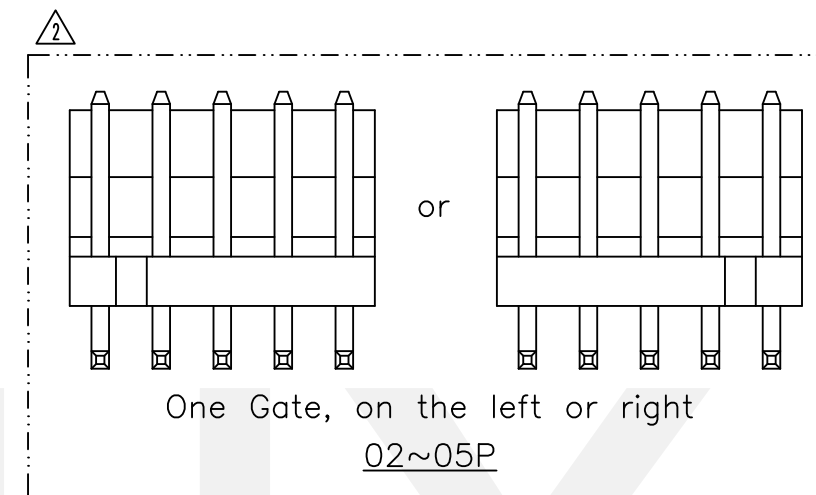
△ Two Gate, on the left and right  
06~20P



Material:

\* Insulation: Nylon 66 UL 94V-2  
Color Nature

\* Contact: Brass



Recommended P.C. Board Layout

Ordering Code:

CI51 \*\* P 1 H 00  
① ② ③ ④ ⑤ ⑥


- ① Series No.
- ② No. of Circuits:
- ③ P= Pin header
- ④ Plating:  
1 = 3.05 μm (120 μ") Min. Tin over Nickel
- ⑤ Type:H= Right angle
- ⑥ Other option: 00= Standard

Circuits	Dimension		Circuits	Dimension	
	A	B		A	B
2	3.96(.156)	7.92(.312)	12	43.56(1.715)	47.52(1.871)
3	7.92(.312)	11.88(.468)	13	47.52(1.871)	51.48(2.027)
4	11.88(.468)	15.84(.624)	14	51.48(2.027)	55.44(2.183)
5	15.84(.624)	19.80(.780)	15	55.44(2.183)	59.40(2.339)
6	19.80(.780)	23.76(.935)	16	59.40(2.339)	63.36(2.494)
7	23.76(.935)	27.72(1.091)	17	63.36(2.494)	67.32(2.650)
8	27.72(1.091)	31.68(1.247)	18	67.32(2.650)	71.28(2.806)
9	31.68(1.247)	35.64(1.403)	19	71.28(2.806)	75.24(2.962)
10	35.64(1.403)	39.60(1.559)	20	75.24(2.962)	79.20(3.118)
11	39.60(1.559)	43.56(1.715)			

Halogen-Free

Tin-Lead Process

RoHS Compliant

△4					DATE	UNIT: mm / inch	TITLE: 3.96MM(.156") RIGHT ANGLE HEADERS	 瀚荃股份有限公司 CviLux Corporation
△3					DATE	TOLERANCE UNLESS OTHERWISE SPECIFIED	MATERIAL:	
△2	Sun	2/15-24'	ECNT124022/ECR0124003	2024/02/17	DRAWN BY: Sun	.X ± 0.38/.015	.X* ± 1"	DRAWING NO. CI5103SE
△1	Casey	3/9-05'	ECN05067/ECR0501150	ISSUED	ENGINEER: Sun	.XX ± 0.25/.010	.X* ±	PART NO. CI51**P1H00
SYM	NAME	DATE	REVISIONS		CHECKED BY: Eisley	.XXX ± 0.10/.004	.XX* ±	SCALE 2 / 1
					APPROVED BY: Eisley			SHEET 1 OF 1