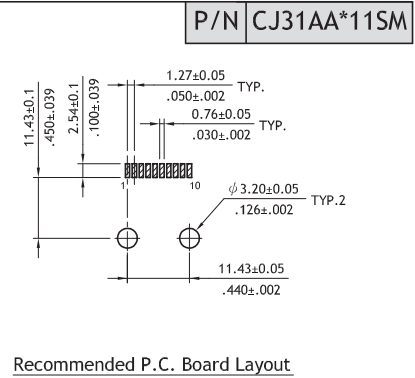
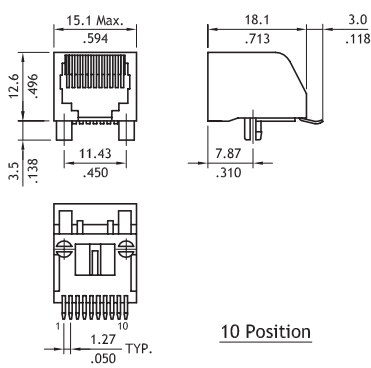
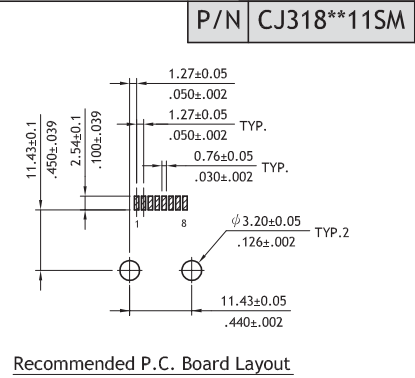
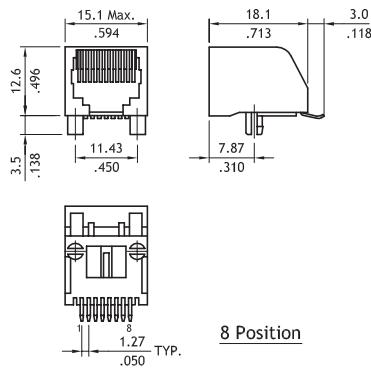
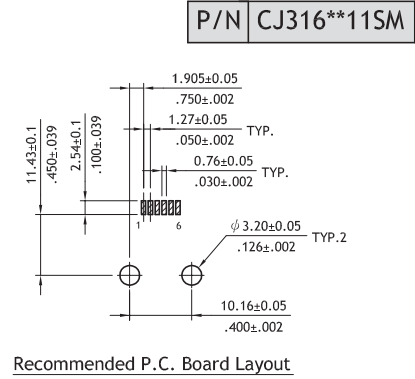
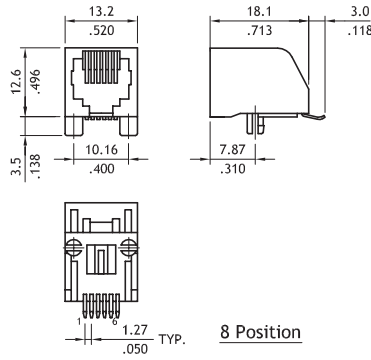
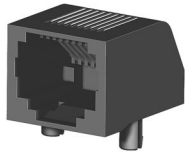


CJ31 Series Board Mount Telephone Jacks

- Available in 6, 8 and 10 ways
- Insulator: Black, Glass Filled Polyester
- Flammability Rating : UL 94V-0
- Cavity confirms to FCC rules and regulations PART 68, SUBPART F

RoHS Compliant



Comet Electronics P/N: TS6P4C-PCB-UH

