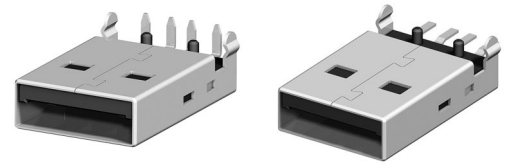


# CU01 Series USB Type-A Board Mount Plug Connectors

- Single 4 position plug connector
- Designed to meet the USB 2.0 Specifications
- With Grounding hooks
- Lead Free soldering process available

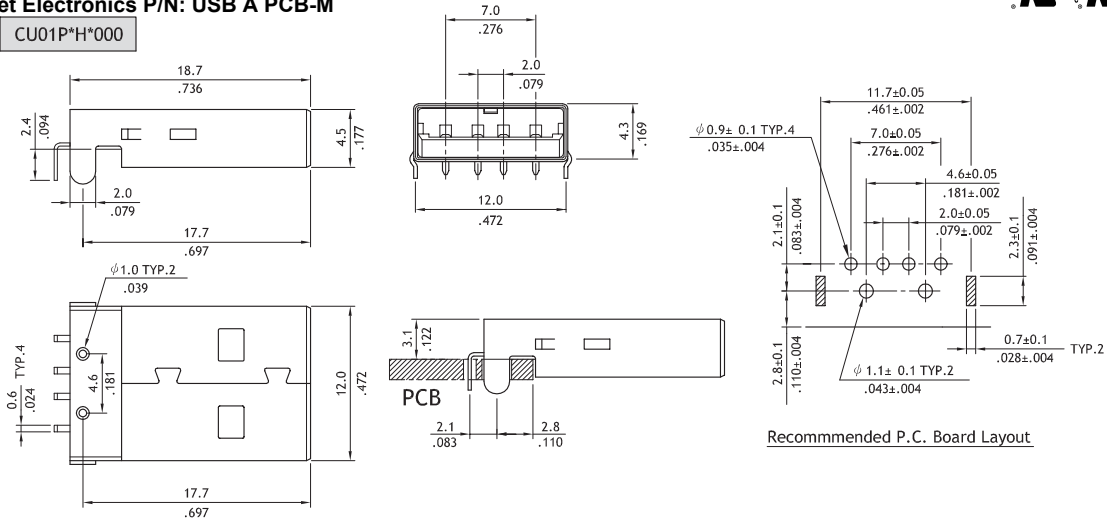
**RoHS** Compliant



**RU RU** :E159616

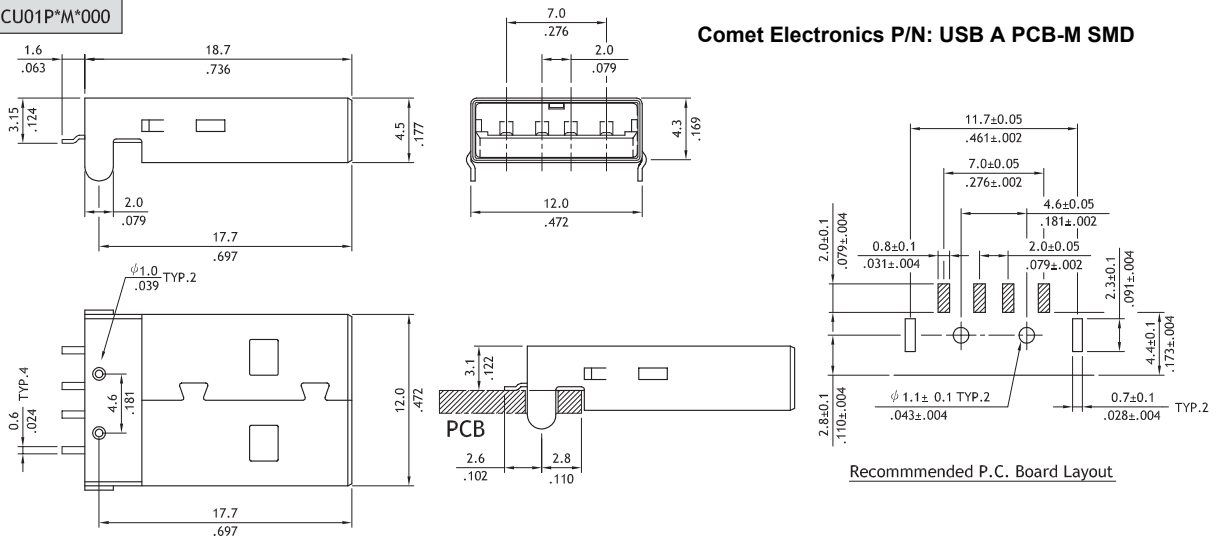
Comet Electronics P/N: USB A PCB-M

P/N CU01P\*H\*000



P/N CU01P\*M\*000

Comet Electronics P/N: USB A PCB-M SMD



## Ordering Code

**1** **2** **3** **4** **5** **6**  
**CU01 P A M 1 000**

**1** Series No.

**2** P= Plug

**3** Plating code:

A= Selective Gold flash over 50μin Nickel

\*Optional plating available but MOQ requested

**4** Tail style:

M= SMT Type

H= DIP Type

**5** Insulator color:

1= Black ; 0= White

**6** Options:

000= Tube

OR0= Tape & Reel