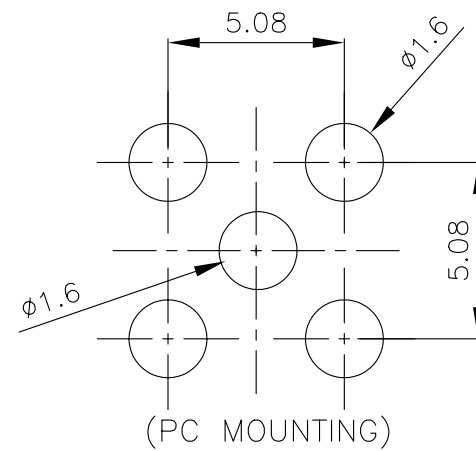
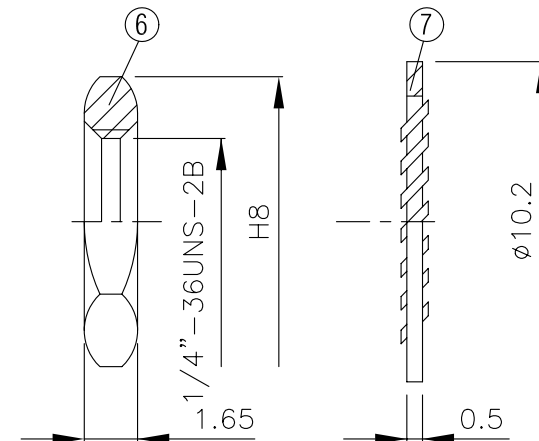
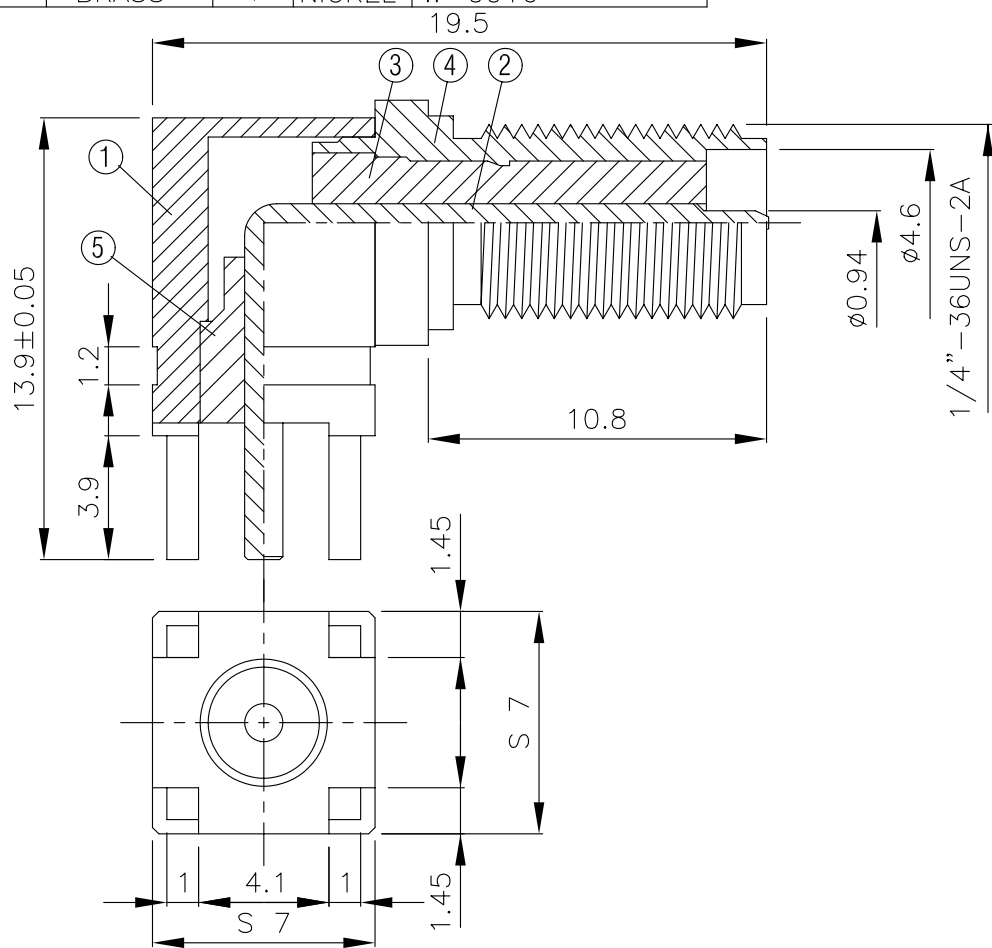
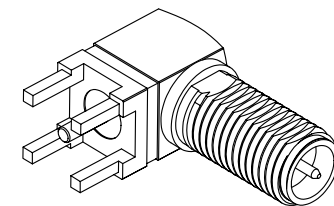


NO	DESCRIPTION	MATERIAL	QTY	FINISH	REMARK
1	BODY 1	BRASS	1	NICKEL	B-SMA0066-N
2	PIN	BRASS	1	GOLD	P-SMA0094-G
3	INSULATION 1	TEFLON	1	TEFLON	I-0198T
4	BODY 2	BRASS	1	NICKEL	B-SMA0145-N
5	INSULATION 2	TEFLON	1	TEFLON	I-0127T
6	NUT	BRASS	1	NICKEL	N-0006-N
7	WASHER	BRASS	1	NICKEL	W-0016



	HUS-TSAN GROUP CO., LTD. P.O. BOX 40-76. TAINAN, TAIWAN, R.O.C.		DRAWN MARY DATE 96.03.28	DIMENSIONS ARE IN MILLIMETERS		REVISION	
	TITLE SMA FEMALE PCB MOUNT REVERSE POLARITY		CHECKED 蘇姿潔 DATE	UNLESS OTHERWISE SPECIFIED TOLERANCE		DESCRIPTION	ENGINEER
	PART NO. SMA-11V5-TGN-RP		Q.A. 馮健華 DATE	0.5-5=±0.2	120-315=±1		
	DRAWING NO. SMA 11V5 TGN RP		APPROVAL 徐燦霖 DATE	5-30=±0.4	315-1000=±1.6		
			REVISION DATE	30-120±0.6	1000-2000=±2.4		

SCALE	4:1	SIZE	A
-------	-----	------	---