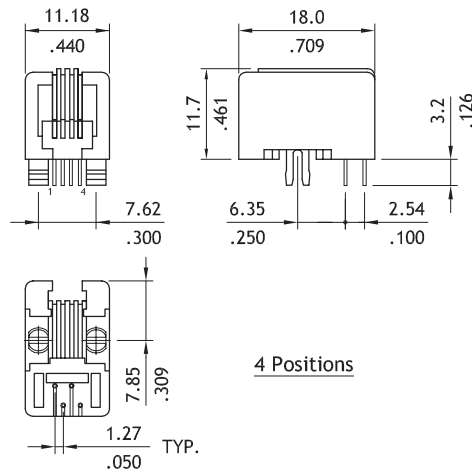


## CJ97 Series Board Mount Telephone Jacks

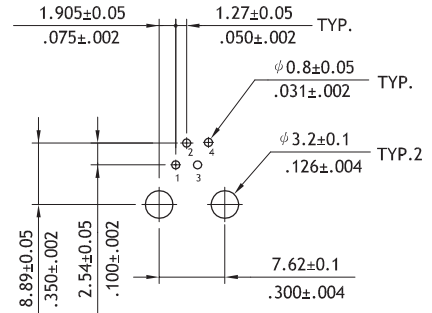
- Available in 4, 6 and 8 ways only
- Insulator: Black, Glass Filled Polyester
- Flammability Rating : UL 94V-0
- Cavity conforms to  
FCC rules and regulations  
PART 68, SUBPART F
- Lead Free soldering process available

**RoHS** Compliant

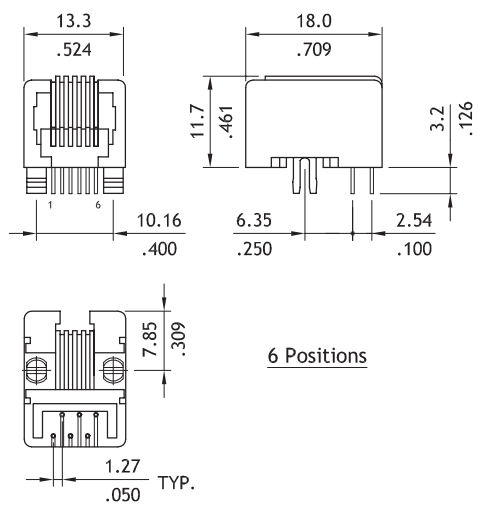


P/N CJ974\*\*1100

Comet Electronics P/N: TS4P4C-PCB-U

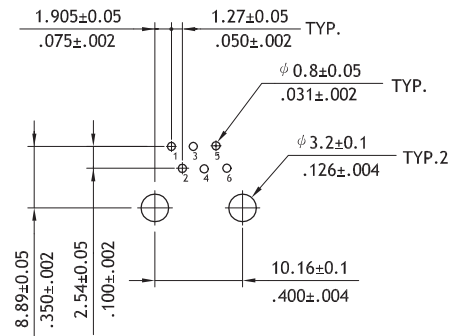


Recommended PC Board Layout

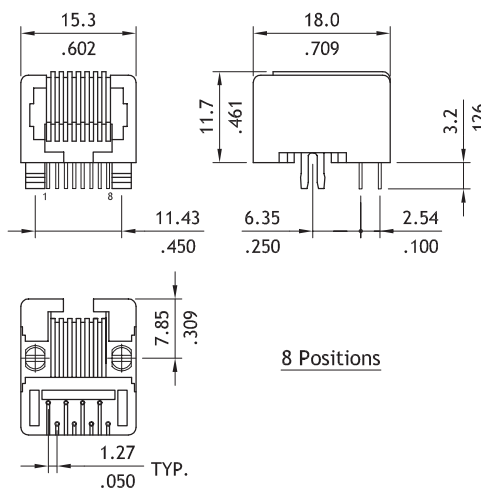


P/N CJ976\*\*1100

Comet Electronics P/N: TS6P6C-PCB-U

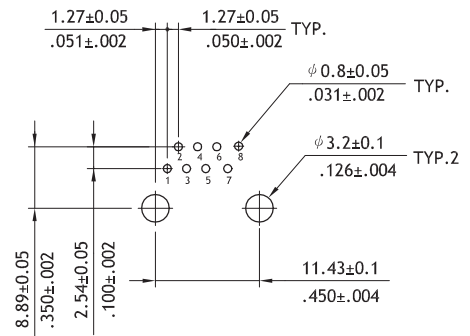


Recommended PC Board Layout



P/N CJ9788\*1100

Comet Electronics P/N: TS8P8C-PCB-U



Recommended PC Board Layout