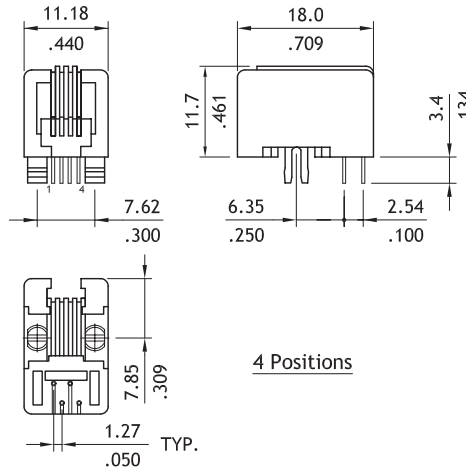
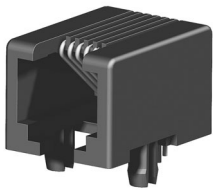


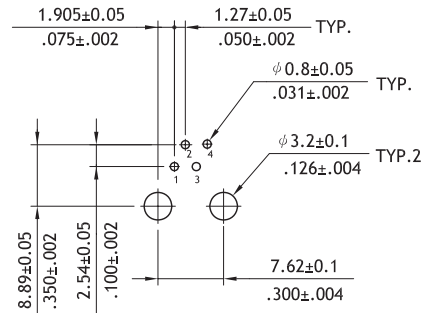
CJ97 Series Board Mount Telephone Jacks

- ⊙ Available in 4, 6 and 8 ways only
- ⊙ Insulator: Black, Glass Filled Polyester
- ⊙ Flammability Rating : UL 94V-0
- ⊙ Cavity conforms to
FCC rules and regulations
PART 68, SUBPART F

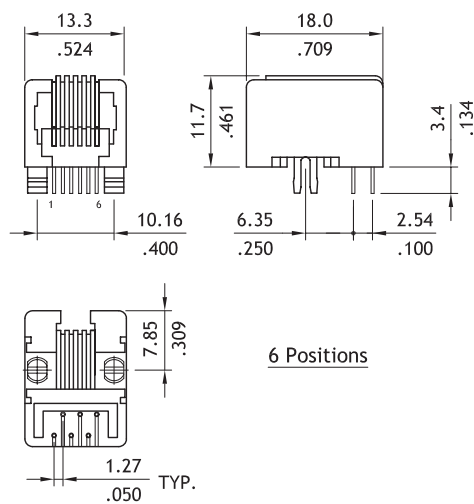


P/N CJ974**1100

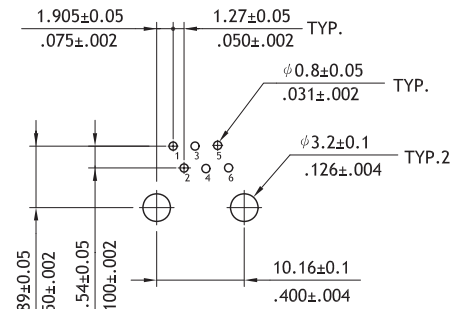
Comet Electronics P/N: TS4P4C-PCB-U



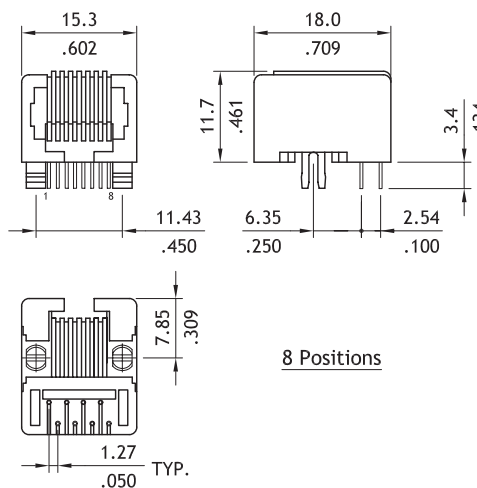
Recommended PC Board Layout



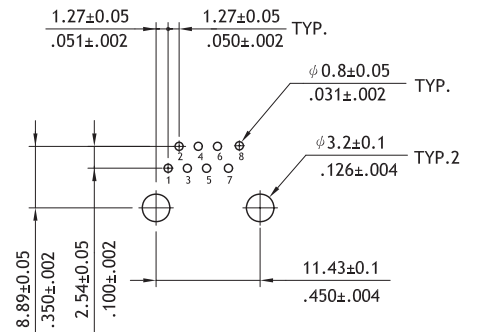
P/N CJ976**1100



Recommended PC Board Layout



P/N CJ9788*1100



Recommended PC Board Layout

I/O CONNECTOR