

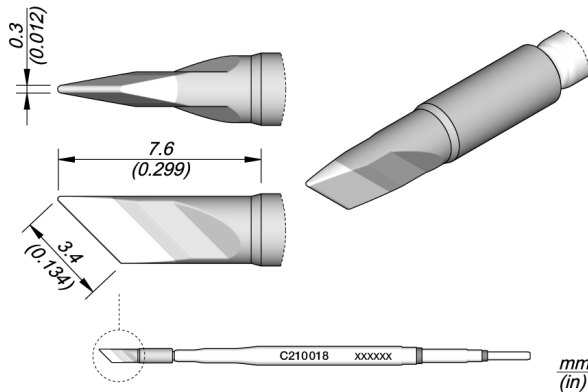
JBC C210018

Knife Cartridge 3.4 x 0.3

JBC



FREE
TEST 30
DAYS



C210 cartridges are appropriate for precision soldering jobs with medium power requirements.

Due to the size, these cartridges are perfect to work with SMD, under a microscope, or with conventional components.

They work with T210 Precision Handpieces.

JBC Long Life Tips offer instant heat up, excellent heat transfer and great durability.

They last 5 times longer than other brands thanks to the JBC Most Efficient Soldering System and the Sleep & Hibernation features.

If you require any further information, feel free to contact us

REFERENCE

C210018

SPECIFICATIONS

Net weight 0,002 kg (0.00lb)

DIMENSIONS AND WEIGHT

Package 110 x 12 x 12 mm / 0.02 kg.
4.33 x 0.47 x 0.47 in / 0.03 lb