

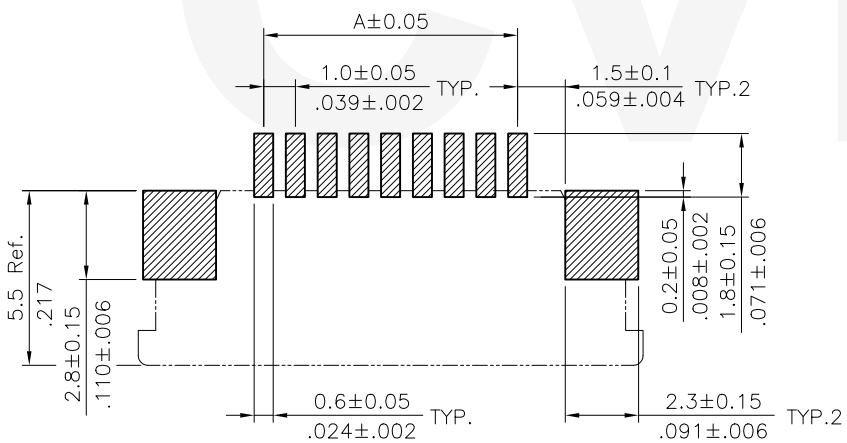
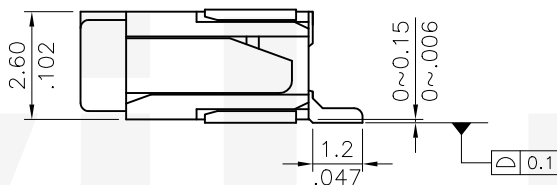
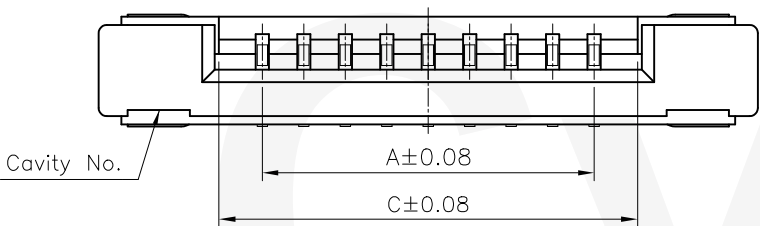
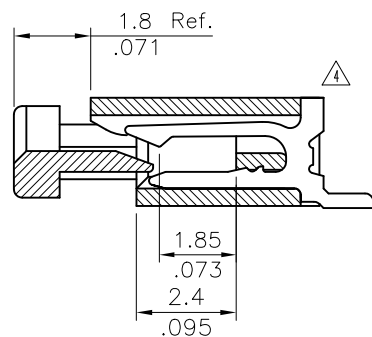
Material :  
 \* Body : High Temperature plastic UL94V-0  
 \* Slider : High Temperature plastic UL94V-0  
 Color Brown  
 \* Contact : Copper Alloy  
 \* Fixed tab : Copper Alloy with Tin plated

Material :  
 \* Body : High Temperature plastic UL94V-0  
 \* Slider : High Temperature plastic UL94V-0  
 Color Brown  
 \* Contact : Copper Alloy  
 \* Fixed tab : Copper Alloy with Tin plated

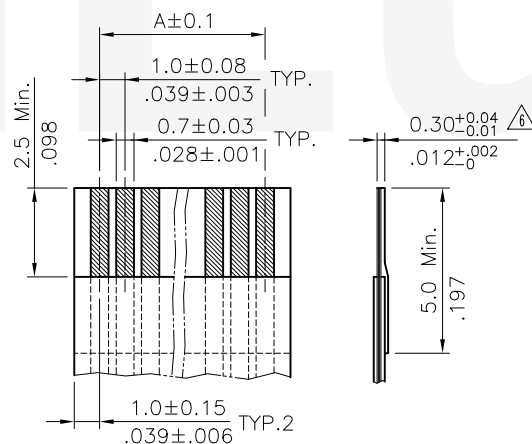
### Ordering Code

CF07 \*\* \* U 0 \* 0  
 ① ② ③ ④ ⑤ ⑥ ⑦

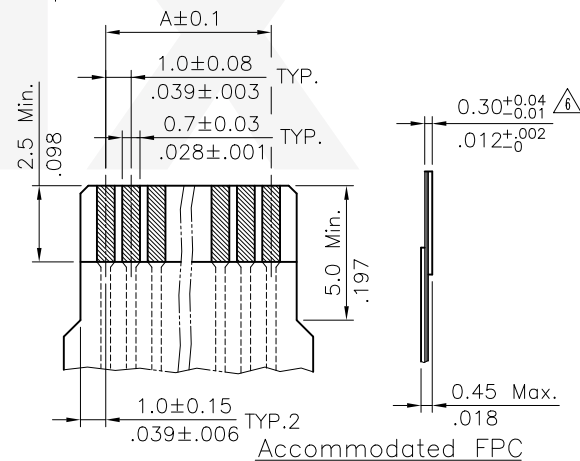
- ① Series No.
- ② No. of Circuits
- ③ Plating code:  
 1= Tin plated over Nickel  
 2= Gold flash plated over Nickel
- ④ Contact style: U= Upside Contact
- ⑤ Color: 0= Nature
- ⑥ Packing options: R= Tape & Reel  
 T= Tube Packing
- ⑦ Other options: 0= Standard



Sold Pad Pattern



Accommodated FFC



Accommodated FPC

Tin-Lead Process

RoHS compliant

⑧	Enya	10/18-13'	ECNT113069		DATE	UNIT: mm / inch	TITLE: 1.00mm(.039") ZIF FPC/FFC UPSIDE CONTACT SURFACE MOUNT CONNECTOR	
⑧	Sun	9/10-08'	ECR08047-2/ECN08398		DRAWN BY: Enya	10/18-13'		TOLERANCE UNLESS OTHERWISE SPECIFIED
⑦	Sun	5/09-08'	ECN08211		ENGINEER: Sun	10/22-13'		.X ± 0.15/.006 X' ± 1'
⑥	Sandy	9/17-07'	ECN07381/ECR07065-1		CHECKED BY: Eisley	10/24-13'	.XX ± 0.10/.004 X' ±	
SYM	NAME	DATE	REVISIONS		APPROVED BY: Eisley	10/24-13'	.XXX ± 0.05/.002 X' ±	FINISH:

瀚荃股份有限公司 CviLux Corporation			
DRAWING NO.	CF0702SP	PART NO.	CF07***U0*0
SCALE	5 / 1	SHEET	1 OF 2

