

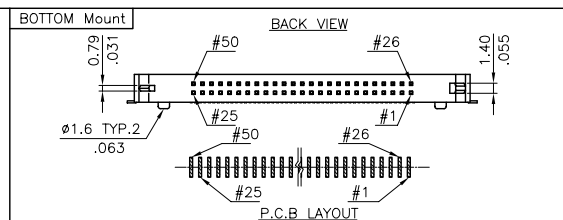
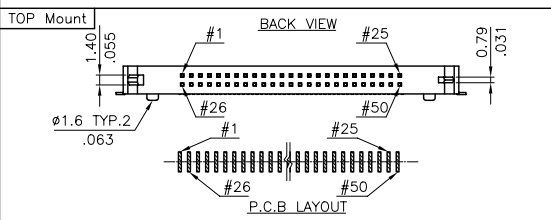
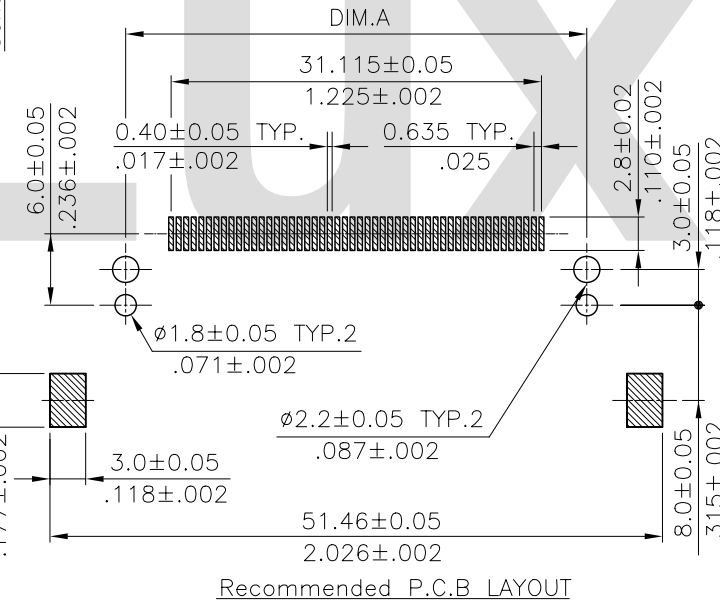
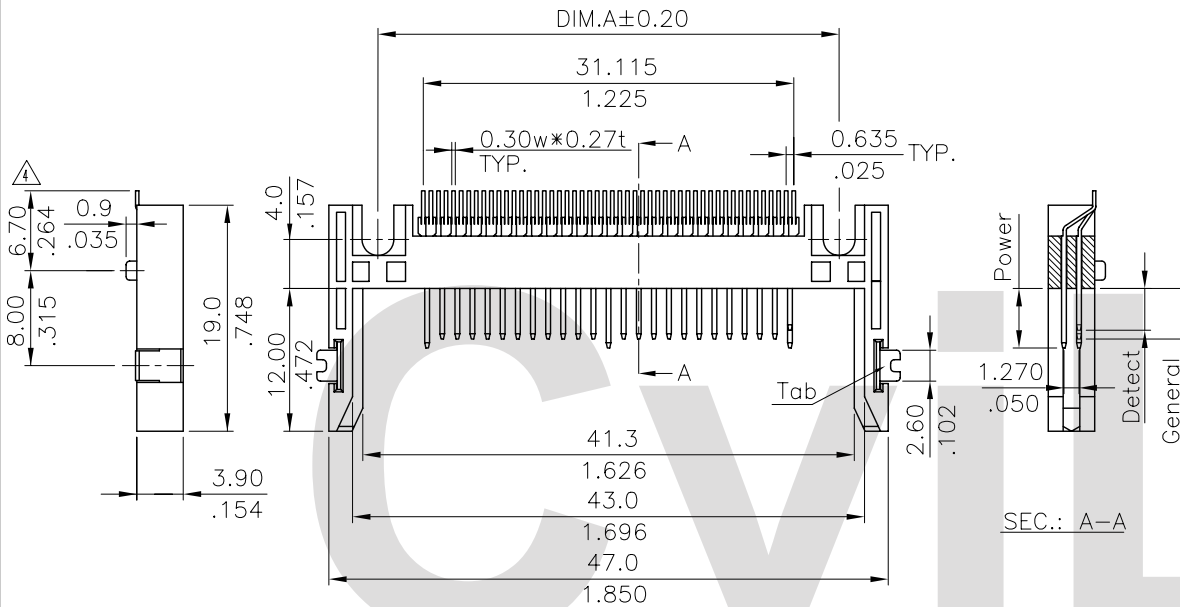
TABLE		
PIN TYPE	Interface Dim.	Pin No.
Detect	3.5mm (0.138In.)	25.26
General	4.25mm (0.167In.)	The others
Power	5.0mm (0.197In.)	01,13,38,50

NOTES  
 MATERIAL  
 Insulator: Glass Reinforced LCP  
 Contacts: Brass  
 Mount ear: Brass ;Tin plated overall  
 Contact plating: see ordering code  
 Solder tail area:100 μ" tin plating over 40 μ" Nickel

Ordering Code:

CCF - M 4 50 \* 0 A 0 0 0 0  
 1 2 3 4 5 6 7 8 9 10 11

1. SERIES NO.
2. CONTACT TYPE:  
M=Male Connector
3. MOUNTING TYPE:  
4=SLIM TYPE
4. CONTACT NUMBER: 50
5. PLATING CODE:  
A=Selective Gold Flash  
B=Selective 15 μ" Gold
6. INSULATOR COLOR:  
0=Nature Color (Beige)
7. CARD KEY ORIENTATION STYLE:  
A: DIM.A=38.74 , TOP Mount  
B: DIM.A=38.74 , Bottom Mount  
C: DIM.A=40.16 , TOP Mount  
D: DIM.A=40.16 , Bottom Mount
8. STAND OFF HEIGHT:  
0=0 mm
9. ACCESSORIES:  
0=With Nuts Plastic Body
10. Tab Style:  
0=With Tab
11. OPTION CODE:  
0=Standard




RoHS Compliant

SYM	NAME	DATE	REVISIONS	APPROVED BY:	DATE
4	Sun	10/29-09'	ECR09138-0/ECN09509		
3	Sandy	8/23-07'	ECN07333	DRAWN BY: Sun	10/29-09'
2	Sandy	2/21/06'	ECN06018	ENGINEER: Eisle	10/30-09'
1	Sandy	12/21/05'	ECN05443	CHECKED BY: David	10/30-09'
				APPROVED BY: Alex	10/30-09'

CIVILUX CORP  
 2009.11.10  
 ISSUED

TITLE: Compct Flash 50P  
 Slim type Pin Header

TOLERANCE UNLESS OTHERWISE SPECIFIED	
.X ± 0.30/.012	.X' ± 1'
.XX ± 0.20/.008	.X' ±
.XXX ± 0.10/.004	.XX' ±

 瀚荃股份有限公司 CviLux Corporation			
DRAWING NO.	CCF-36SE	PART NO.	CCF-M450*0*0000
SCALE	2 / 1	SHEET	1 OF 1