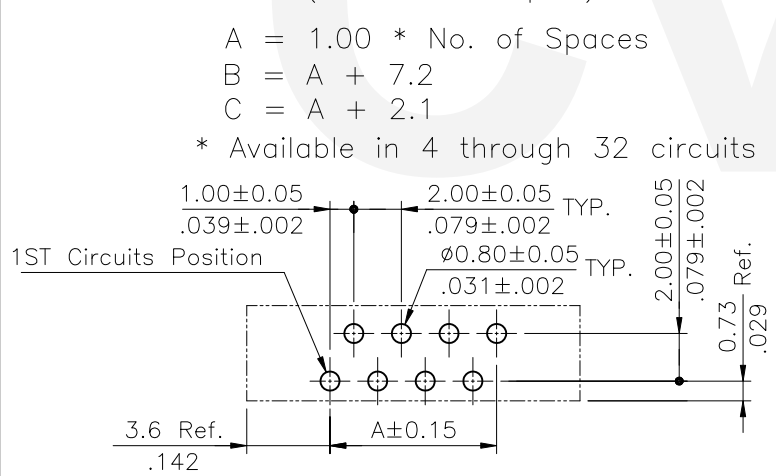


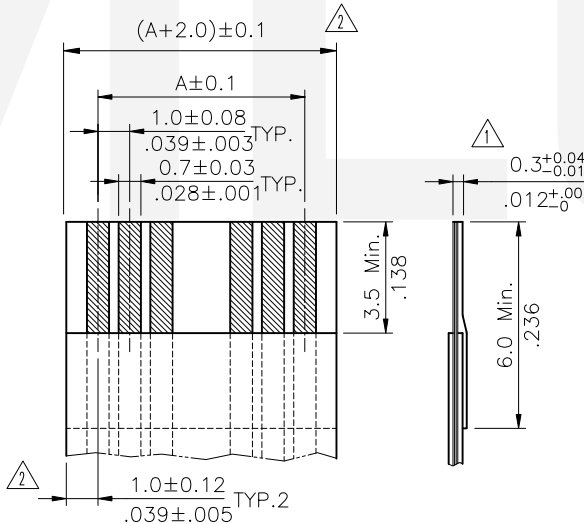
Material:
 * Insulation: Nylon 6T UL 94V-0, Color Nature
 * Slider: Nylon 6T UL 94V-0, Color Brown
 * Contact: Phosphor Bronze
 * PAD: Nylon 6T UL 94V-0, Color Black

Ordering Code
 CF10 ** 1 V 0 * 0 -LF
 ① ② ③ ④ ⑤ ⑥ ⑦ ⑧
 ① Series No.
 ② No. of Circuits
 ③ Plating code:
 1= Matte Tin plated over Nickel
 ④ Contact type: V= Straight DIP type
 ⑤ Insulation Color: 0= Nature
 ⑥ Packing : T= Tube Packaged
 R= Reel Packaged(With PAD)
 ⑦ Option: 0= Standard
 ⑧ -LF=For Lead Free IR Process

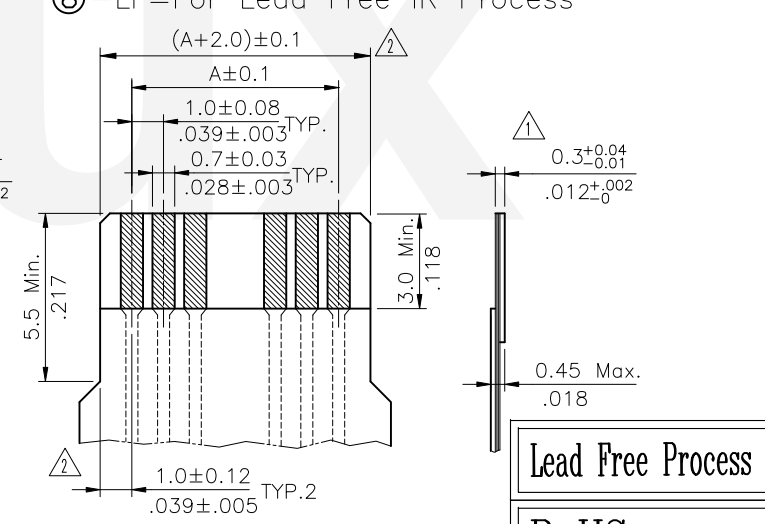


A = 1.00 * No. of Spaces
 B = A + 7.2
 C = A + 2.1

* Available in 4 through 32 circuits



* ACCOMMODATED FFC



* ACCOMMODATED FPC

Lead Free Process
 RoHS Compliant

④	Kenny	8/24-20'	ECNT120223		DATE	UNIT: mm / inch	TITLE: 1.00mm(.039") ST. DIP TYPE ZIF FFC/FPC CONNECTOR	 瀚荃股份有限公司 CviLux Corporation	
③	Karen	8/25-09'	ECN09431		DRAWN BY: Kenny	8/24-20'	TOLERANCE UNLESS OTHERWISE SPECIFIED		MATERIAL:
②	Bill	3/26-08'	ECR08027-0/ECN08145		ENGINEER: Sun	8/25-20'	.X ± 0.15/.006 X' ± 1'		FINISH:
①	Sandy	9/22-07'	ECN07381/ECR07065-1		CHECKED BY: Eisley	8/25-20'	.XX ± 0.10/.004 X' ±		DRAWING NO. CF1023SE PART NO. CF10**1V0*0-LF
SYM	NAME	DATE	REVISIONS		APPROVED BY: Eisley	8/25-20'	.XXX ± 0.05/.002 X' ±		SCALE 3 / 1 SHEET 1 OF 1