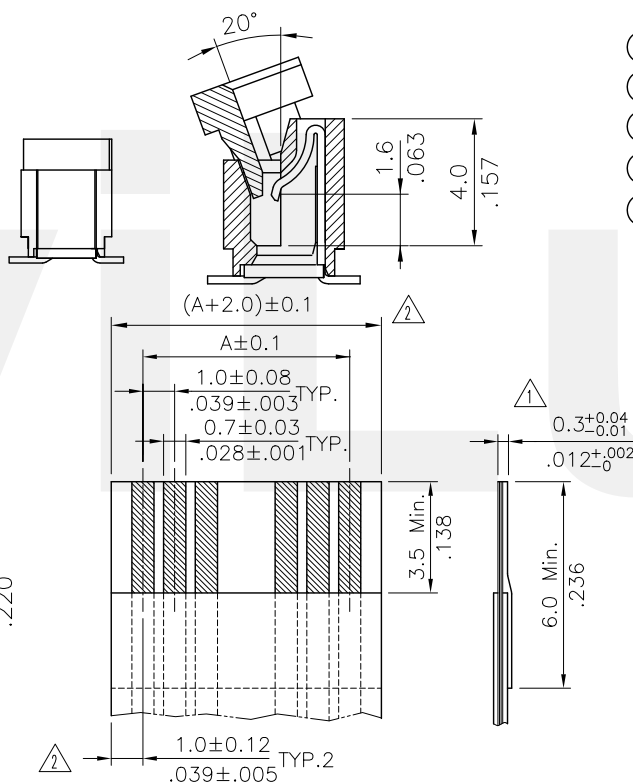
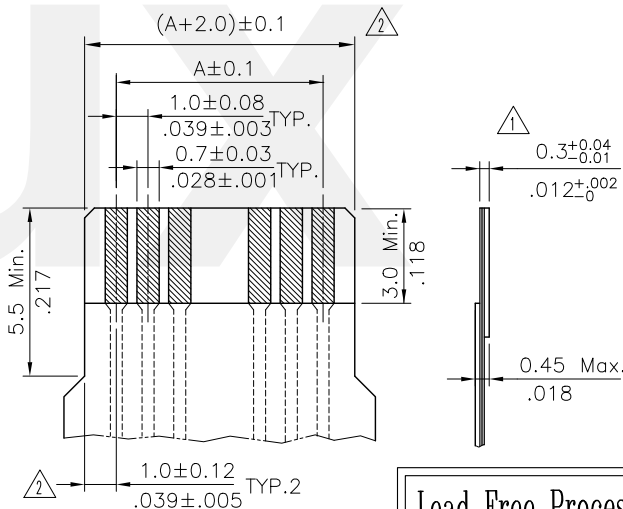


Recommended P.C. Board Layout



* ACCOMMODATED FFC



* ACCOMMODATED FPC

Material:
 * Insulation: Nylon 6T UL 94V-0
 Color Nature
 * Slider: Nylon 6T UL 94V-0, Color Brown
 * Contact: Phosphor Bronze


Ordering Code

CF10 ** 1 M 0 T 0 - LF
 ① ② ③ ④ ⑤ ⑥ ⑦ ⑧

- ① Series No.
- ② No. of Circuits
- ③ Plating code:
1 = Matte Tin plated over Nickel
- ④ Contact type: M = SMT type
- ⑤ Insulation Color: 0 = Nature
- ⑥ Packing : T = Tube Packaged
- ⑦ Other option: 0 = Standard
- ⑧ -LF = For Lead Free IR Process

A = 1.00 * No. of Spaces
 B = A + 7.2
 C = A + 2.1
 * Available in 4 through 32 circuits

Lead Free Process
 RoHS Compliant

④				CIVILUX CORP		DATE	UNIT: mm / inch	TITLE: 1.00mm(.039") SMT TYPE ZIF FFC/FPC CONNECTOR	 瀚荃股份有限公司 CivLux Corporation
③	Sandy	12/2-10'	ECN10391	2010.12.21	DRAWN BY: Sandy	12/2-10'	TOLERANCE UNLESS OTHERWISE SPECIFIED	MATERIAL:	
②	Bill	3/26-08'	ECR08027-0/ECN08145	ISSUED	ENGINEER: Clark	12/9-10'	.X ± 0.15/.006 X' ± 1'	FINISH:	DRAWING NO. CF1017SD PART NO. CF10**1MOTO-LF
①	Sandy	9/22-07'	ECN07381/ECR07065-1		CHECKED BY: Eisley	12/10-10'	.XX ± 0.10/.004 X' ±		SCALE 3 / 1 SHEET 1 OF 1
SYM	NAME	DATE	REVISIONS		APPROVED BY: David	12/10-10'	.XXX ± 0.05/.002 XX' ±		