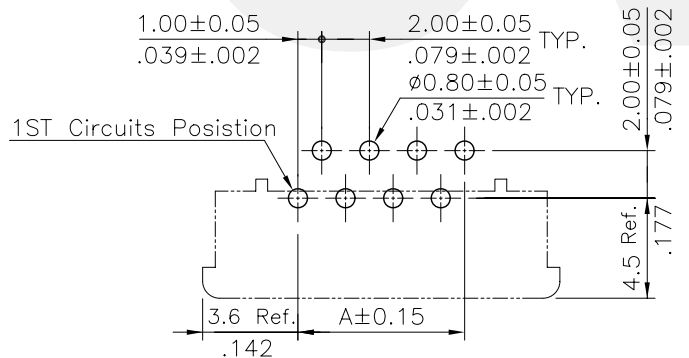
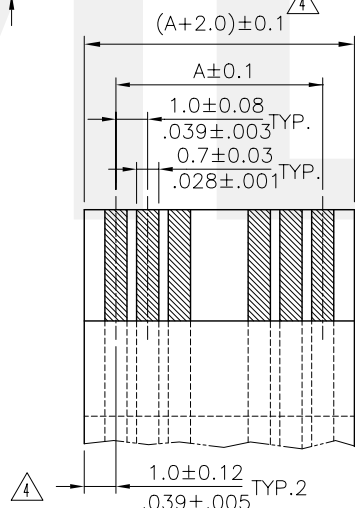


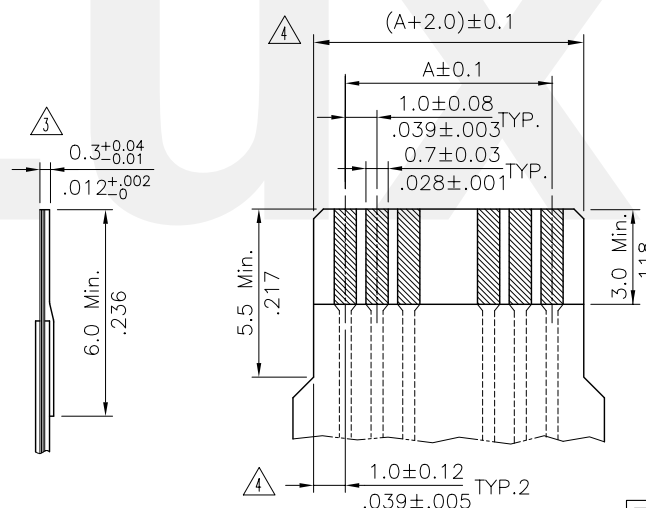
A = 1.00 \* No. of Spaces  
 B = A + 7.2  
 △ C = A + 2.1  
 \* Available in 4 through 32 circuits



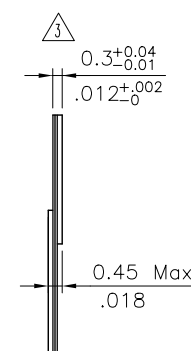
Recommended P.C. Board Layout



\* ACCOMMODATED FFC



\* ACCOMMODATED FPC



Material:

- \* Insulation: Nylon 6T UL 94V-0 Color Nature
- \* Slider: Nylon 6T UL 94V-0, Color Brown
- \* Contact: Phosphor Bronze

Ordering Code

CF10 \*\* 1 U 0 T 0  
 ① ② ③ ④ ⑤ ⑥ ⑦

- ① Series No.
- ② No. of Circuits
- ③ Plating code:  
1 = Tin plated over Nickel
- ④ Contact type : U = Up side contact
- ⑤ Insulation Color: 0 = Nature
- ⑥ Packing : T = Tube Packaged
- ⑦ Other option: 0 = Standard

RoHS Compliant

△4	Bill	3/26-08'	ECR08027-0/ECN08145		DATE	UNIT: mm / inch	TITLE: 1.00mm(.039") R/A DIP TYPE ZIF FFC/FPC CONNECTOR (UPSIDE CONTACT)		DRAWING NO. CF1003SG PART NO. CF10**1U0T0	
△3	Sandy	9/22-07'	ECN07381/ECR07065-1		DRAWN BY: Bill	4/10 08'				TOLERANCE UNLESS OTHERWISE SPECIFIED
△2	Sun	10/27/05'	ECN05368		ENGINEER: CLARK	4/14 08'				.X ± 0.15/.006 X' ± 1'
△1	Sun	8/11/05'	ECN05268		CHECKED BY: David	4/14 08'				.XX ± 0.10/.004 X' ±
SYM	NAME	DATE	REVISIONS		APPROVED BY: Alex	4/14 08'				.XXX ± 0.05/.002 XX' ±
MATERIAL:								SCALE	3 / 1	
FINISH:								SHEET	1 OF 1	