

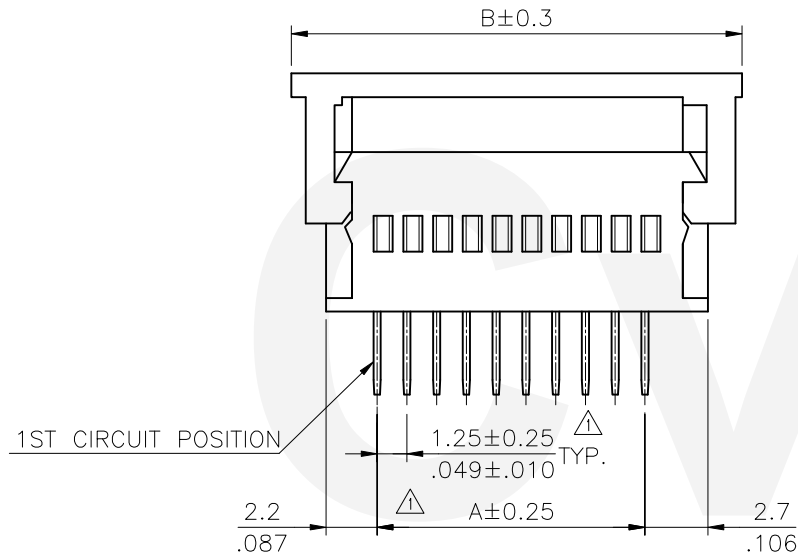
Material:

- * Insulation: PBT UL 94V-0
- * Contact: Copper Alloy

Ordering Code

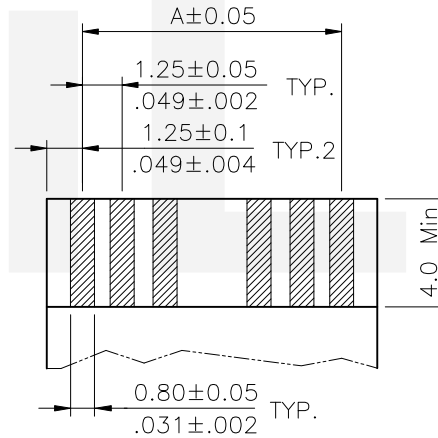
CF01 ** 1 V 0 00
 ① ② ③ ④ ⑤ ⑥

- ① Series No.
- ② No. of Circuits
- ③ Plating code:
1 = Tin plated over Nickel
- ④ Entry option: V = Straight
- ⑤ Color: 0 = Nature
- ⑥ Other options: 00 = Standard

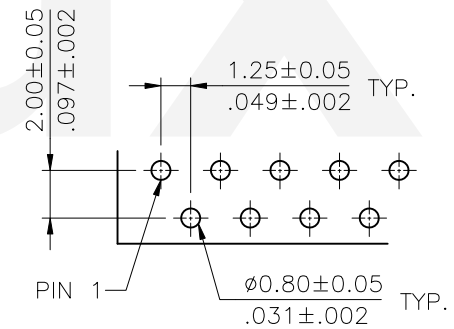


A = 1.25 * No. of Spaces
 B = A + 7.05
 C = A + 2.7

② * Available in 3 through 32 circuits




Accommodated FPC/FFC
 (Thickness: 0.3mm ± 0.05)



Recommended P.C. Board Layout

RoHS Compliant

④						DATE	UNIT: mm / inch	TITLE: 1.25mm(.049") ZIF FFC/FPC SOCKET	 瀚荃股份有限公司 CviLux Corporation
③	Yushu	7/28-20'	ECNT120192/ECRT120046	<div style="border: 2px solid red; border-radius: 50%; padding: 5px; display: inline-block;"> CVILUX 2020.07.30 ISSUED </div>	DRAWN BY:	Yushu	7/28-20'	TOLERANCE UNLESS OTHERWISE SPECIFIED	
②	Karen	9/03-15'	ECNT115199/ECRT115075		ENGINEER:	Sun	7/29-20'	.X ± 0.35/.014 X' ± 1'	MATERIAL:
①	Karen	10/1-08'	ECN08494/ECR08076-0		CHECKED BY:	Eisley	7/29-20'	.XX ± 0.25/.010 X' ±	FINISH:
SYM	NAME	DATE	REVISIONS		APPROVED BY:	Eisley	7/29-20'	.XXX ± 0.15/.006 XX' ±	DRAWING NO. CF0103SD PART NO. CF01**1V000
									SCALE 3 / 1 SHEET 1 OF 1