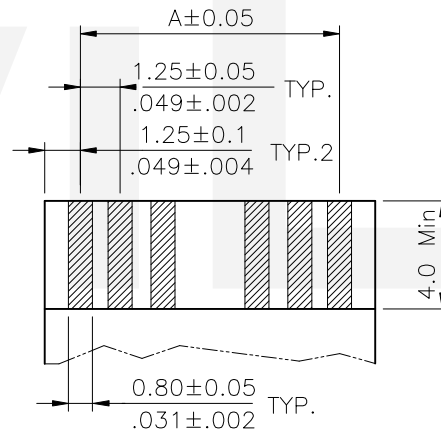
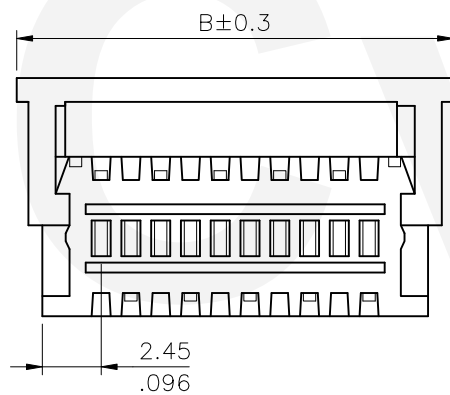
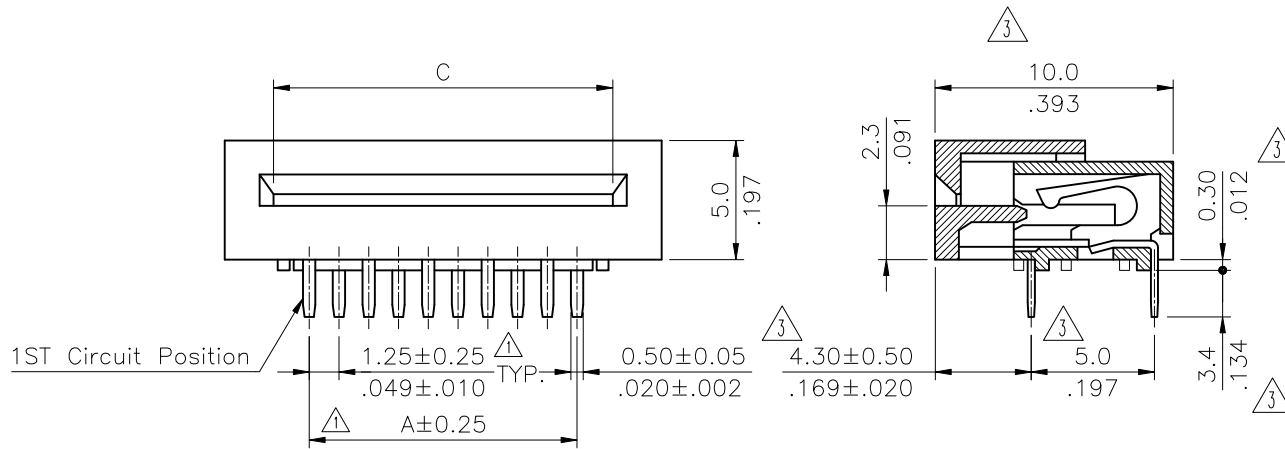


Material:

* Insulation: Glass filled polyester UL 94V-0

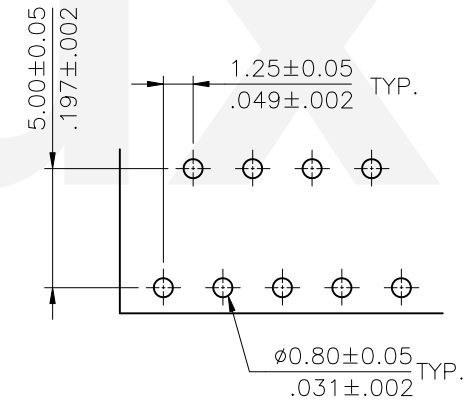
* Contact: Phosphor Bronze



Ordering Code

CF01 ** 1 H 0 00
 ① ② ③ ④ ⑤ ⑥

- ① Series No.
- ② No. of Circuits
- ③ Plating code:
1 = Tin plated over Nickel
- ④ Entry option: H = Right angle
- ⑤ Color: 0 = Nature
- ⑥ Other options: 00 = Standard




Recommended P.C. Board Layout

A = 1.25 * No. of Spaces
 B = A + 7.05
 C = A + 2.7
 * Available in 3 through 32 circuits

RoHS Compliant

CVILUX
 2020.07.30
 ISSUED

④						DATE	UNIT: mm / inch	TITLE: 1.25mm(.049") ZIF FFC/FPC SOCKET	 瀚荃股份有限公司 CviLux Corporation
③	Yushu	7/28-20'	ECNT120192/ECRT120046	DRAWN BY:	Yushu	7/28-20'	TOLERANCE UNLESS OTHERWISE SPECIFIED	MATERIAL:	
②	Karen	9/03-15'	ECNT115199/ECRT115075	ENGINEER:	Sun	7/29-20'	.X ± 0.30/.012 X' ± 1'	FINISH:	DRAWING NO. CF0104SD PART NO. CF01**1H000
①	Karen	10/1-08'	ECR08076-0/ECN08494	CHECKED BY:	Eisley	7/29-20'	.XX ± 0.25/.010 X' ±		SCALE 3 / 1 SHEET 1 OF 1
SYM	NAME	DATE	REVISIONS	APPROVED BY:	Eisley	7/29-20'	.XXX ± XX' ±		