



SOVEREIGN 12-250TC

FULL RANGE DRIVER

12" / 304.8 mm
CHASSIS DIAMETER

500 W
PROGRAM POWER

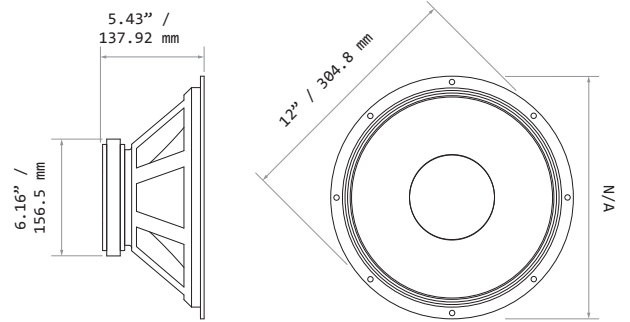
45 Hz - 17 kHz
FREQUENCY RESPONSE

2" / 50.8 mm
VOICE COIL

100 dB
SENSITIVITY (1W/ 1m)

3.5 mm Xmax
MAXIMUM LINEAR EXCURSION

- + Triple cone configuration and geometry provides genuine, unrivalled extended frequency range up to 17 kHz.
- + The finest option for full range output in compact PA systems.
- + Superb when deployed for house of worship applications offering well defined vocal presence and clarity.
- + Optimised cone pulp offers increased strength, durability and performance.
- + 2-Inch Copper clad aluminium voice coil.



GENERAL SPECIFICATIONS

Nominal Chassis Diameter	12" / 304.8 mm
Nominal Impedance ⁽¹⁾	8 Ohm
Minimum Impedance Zmin	7.4 Ω
AES Power Handling ⁽²⁾	250 W (A.E.S.)
Program Power	500 W
Peak Power (6dB Crest Factor)	1000 W
Frequency Range ⁽³⁾	45 Hz - 17 kHz
Sensitivity (1W/ 1m)	100 dB
Magnet Material	Ferrite
Magnet Weight	56 oz
Magnetic Gap Depth	0.31" / 7.87 mm
Flux Density	1.1 Tesla
Former Material	Glass Fibre
Voice Coil Material	Copper Clad Aluminium Wire
Coil Winding Height	0.43" / 10.92 mm
Voice Coil Diameter	2" / 50.8 mm
Cone/ Dust Dome Material	Paper / Paper
Surround / Edge Termination	Polyvinyl Damped Dbl. Half Roll Linen

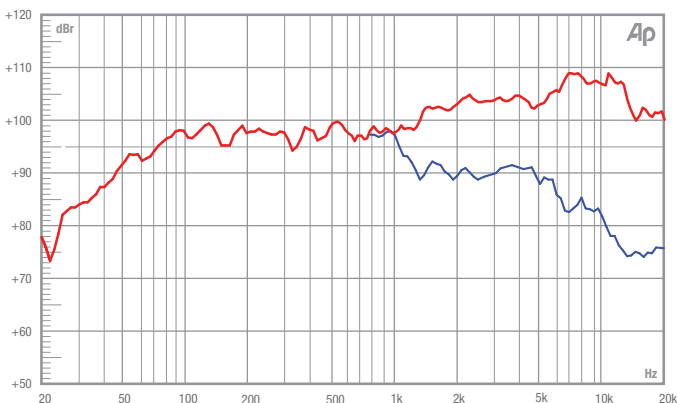
TECHNICAL & THIELE SMALL PARAMETERS

Fs	50 Hz
Re	7.2 Ω
Qms	7.6
Qes	0.72
Qts	0.64
Vas	78.06 Litres
Vd	0.165 Litres
Cms	0.195 mm/N
Bl	13 T/m
Mms	52 g
Xmax	3.5 mm
Sd	530.9 cm ²
Efficiency	1.3 %
Le (1k Hz)	1.56 mH
EBP	69.44 Hz
Effective Piston Diameter	10.31" / 261.87 mm
Rec. Enclosure Volume	1.05 - 2.64 ft ³ / 30 -75 Litres

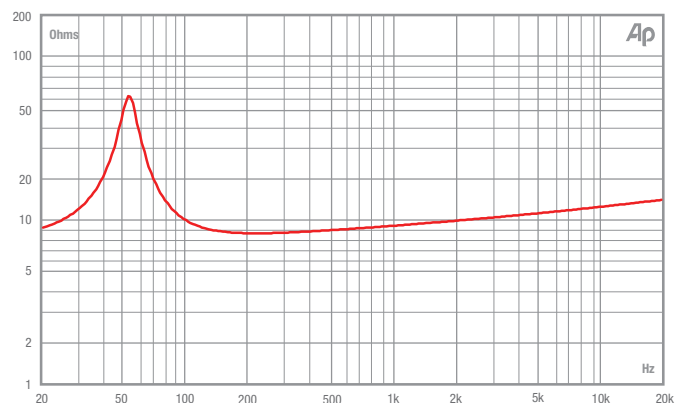
MOUNTING / SHIPPING INFORMATION

Overall Diameter	12" / 304.8 mm
Width Across Flats	N/A
Depth	5.43" / 137.92 mm
Flange Height	0.27" / 6.9 mm
Baffle Hole Diameter F/M	11.25" / 285.75 mm
Baffle Hole Diameter R/M	11.25" / 285.75 mm
Chassis Material	Pressed Steel
Gasket Supplied	Front & Rear
Outer Fixing Holes	8x ø 7.0 mm on 11.75" / 298 mm PCD
Inner Fixing Holes	N/A
Connectors ⁽⁴⁾	Solder Tag
Weight	9.47 lb / 4.3 Kg
Shipping Weight	11.35 lb / 5.15 Kg
Packing Carton Dimensions (mm)	(W) 330 (D) 330 (H) 170

FREQUENCY RESPONSE DATA⁽³⁾



IMPEDANCE



(1) Please enquire about alternative impedances.

(2) A.E.S. power handling test. Pink noise bandpass filtered at 12 dB per octave with cutoff frequencies of 50 Hz and 500 Hz. Driver mounted in free air, test signal applied at rated power for two hours.

(3) Half space response measured in a 975 Litre sealed box. Blue line = fundamental 45° off-axis. Please note that the frequency response measurements are supplied for comparison only and are not a measure of the low frequency performance which may be achieved in a fully optimised system.

(4) Positive voltage at red terminal causes forward motion of cone.