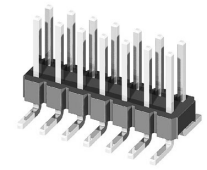


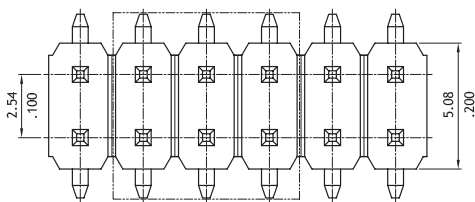
CH81 Series 2.54mm(.100") Dual Row SMT Pin Headers

- Mates with CB83, CB85, CB87, CB91, CB94, CB96 and CB97
- Lead Free soldering process available

RoHS Compliant



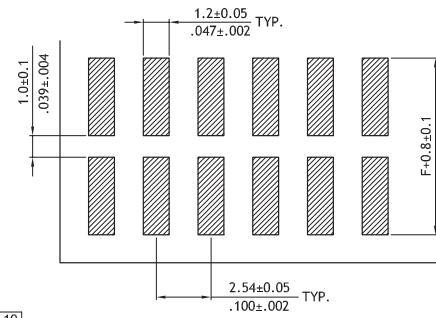
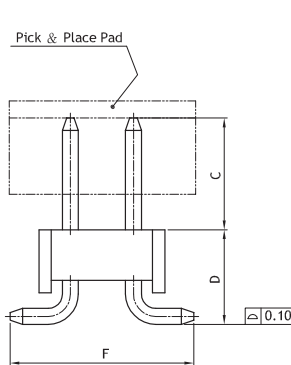
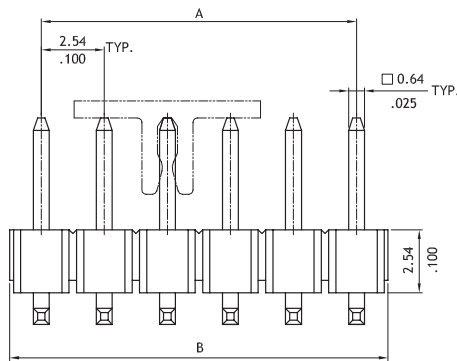
:E159616



A = 2.54x No. of Spaces
B = A + 2.36

HN2X40 SMD

Option Code	Pin Dimension		
	C	D	F
00	8.80(.346)	3.4(.134)	7.4(.291)
01	6.0(.236)	3.4(.134)	7.4(.291)
02	6.0(.236)	3.81(.150)	7.4(.291)



Recommended P.C. Board Layout

Ordering Code

1 CH **2** 8 **3** 1 **4** 2 **5** M **6** 1 **7** 00 **8** 00

- | | |
|---|--|
| <p>1 Series No.</p> <p>2 Circuits:
04 to 80</p> <p>3 Plating code:
2= Gold flash over Nickel
*Optional plating available but MOQ requested</p> <p>4 Tail Style:
M= Vertical SMT Type</p> <p>5 Insulator Material & Color:
1= Nylon 6T, Color Black</p> | <p>6 Other options: 00= Standard
* See option code table
* Consult manufacturer for customized pin length</p> <p>7 Pin size :
0= Original design</p> <p>8 0= Without Pick & Place Pad (Tube)
P= With Pick & Place Pad (Tape & Reel)</p> |
|---|--|