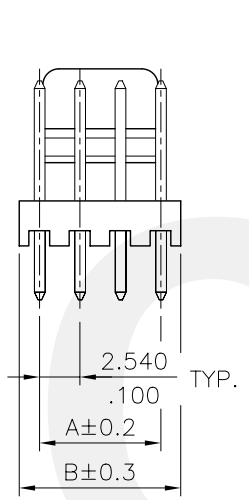
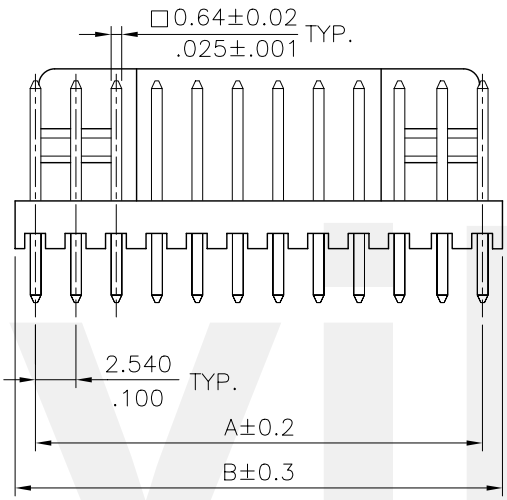


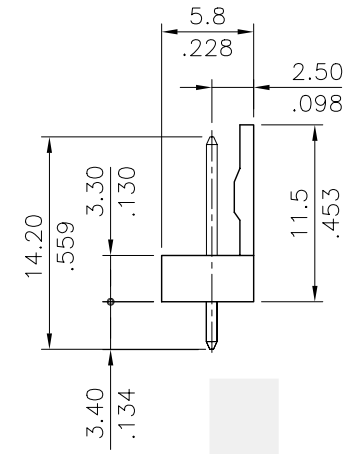
Material:  
 \* Insulation: Nylon 66 UL 94V-2  
 Color Nature  
 \* Contact: Brass



(2 through 5 circuits)



(6 through 20 circuits)



Ordering Code:

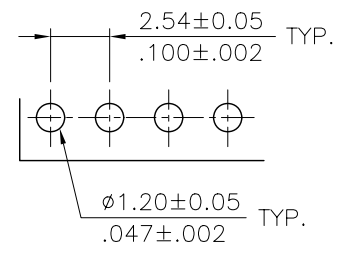
CI31 \*\* P \* V 00  
 ① ② ③ ④ ⑤ ⑥

- ① Series No.
- ② No. of Circuits
- ③ Contact type: P= Pin header
- ④ Plating option:  
 1= 3.05μm(120μ") Min. Tin plated over 0.76μm(30μ") Nickel  
 2= Gold flash plated over 1.27μm(50μ") Nickel
- ⑤ Tail Style: V= Vertical
- ⑥ Option: 00= Standard

A = 2.54 x No. of Spaces

B = A + 2.54

\* Available in 2 through 20 circuits



Recommended P.C. Board Layout

Halogen-Free

Tin-Lead Process

RoHS Compliant

④						DATE	UNIT: mm / inch	TITLE: 2.54MM(.100") STRAIGHT HEADERS		瀚荃股份有限公司 CviLux Corporation				
③					DRAWN BY: Sandy	08/16-06'	TOLERANCE UNLESS OTHERWISE SPECIFIED			MATERIAL:	DRAWING NO.	CI3102SF	PART NO.	CI31**P*V00
②					ENGINEER: Easley	08/17-06'	.X ± 0.30/.012	X' ± 1"			FINISH:	SCALE	2 / 1	SHEET
①	Sandy	8/14/06'	ECN06275/ECR06020-2		CHECKED BY: David	08/17-06'	.XX ± 0.20/.008	X' ±						
SYM	NAME	DATE	REVISIONS	APPROVED BY: Alex	08/17-06'	.XXX ± 0.10/.004	.XX' ±							