

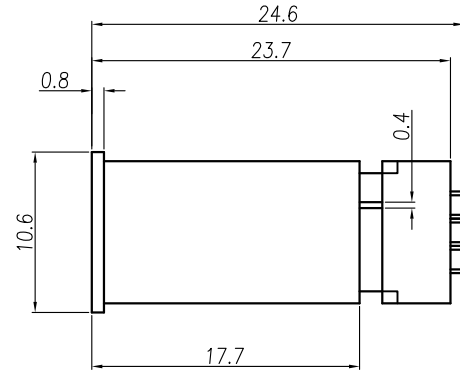
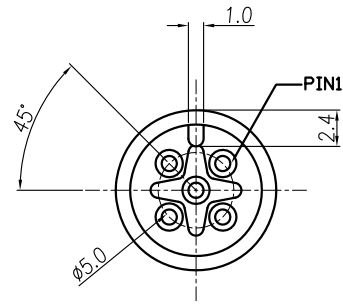
SWITCH CIRCUIT

MATERIAL AND FINISH AS BELOW

WHEN CARD IS EJECTED

WHEN CARD IS INSERTED

A	Housing	PBT UL94V-0, Color: Black	E	Epoxy Base	Epoxy Black
B	Contact	Brass C3604, Contact Area:10u" Gold Plating Over Nickel	F		
C	Nut	Brass C3604, Nickel Plated	G		
D	O-Ring	EPDM Black	H		



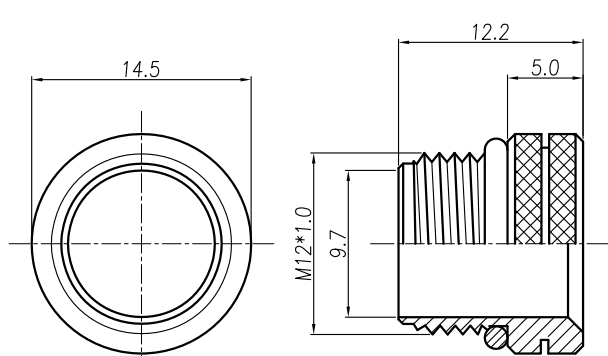
SPECIFICATION:

1. ELECTRICAL

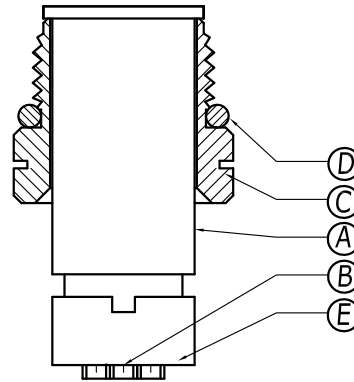
- 1.1 **Current Rating: 4A per pin**
- 1.2 **Voltage Rating: 60V**
- 1.3 **Water Proof: IPX7**

2. ENVIRONMENTAL

2.1 Operating temperature range: -40°C ~ +85°C



NUT



P1	P2	P3	P4	P5	P6	P7	P8	P9	P10	P11	P12
PIN ASSIGNMENT											
216A-05MO0			M12 A- Code Plug for Cable, 5Pin Male For Overmold with Cable, Contact: 10u" Gold Plating								
PRODUCT NO.			DESCRIPTION								

UNLESS OTHERWISE SPECIFIED TOLERANCE		
ANGLES	ANG.	±5°
LINEAR	0.	±0.3
	0.0	±0.25
	0.00	±0.20
SCALE	AS SHOWN	UNIT: mm
DRAWN	Willis	2013/12/24
CHECKED	Angel	2013/12/24
APPROVED	Ken	2013/12/24



www.attend.com.tw

DRAWN NAME: M12 A- Code Plug for Cable 5Pin Male For Overmold with Cable

PRODUCT NO. 216A-05MO0

FILE NAME 216A-05MO0_B_3

REV.	DESCRIPTION	DATE	REV.	DESCRIPTION	DATE	SIZE	REV.
1						A4	1.0
A	⚠ ECR220421001	2022/04/21					
	⚠ ECR1700027	2017/10/26					
	⚠ INITIAL RELEASE	2013/12/24					