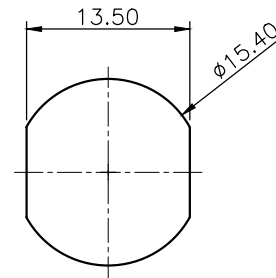
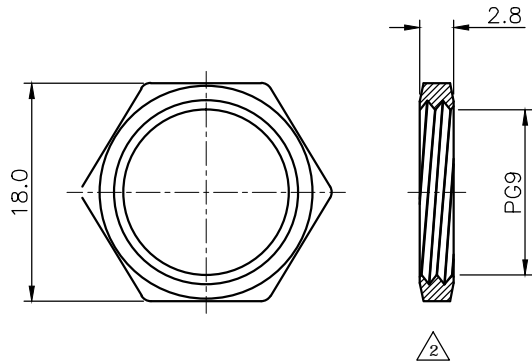
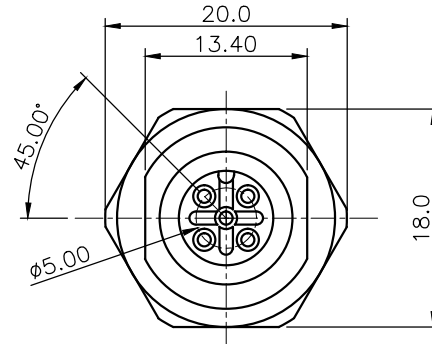
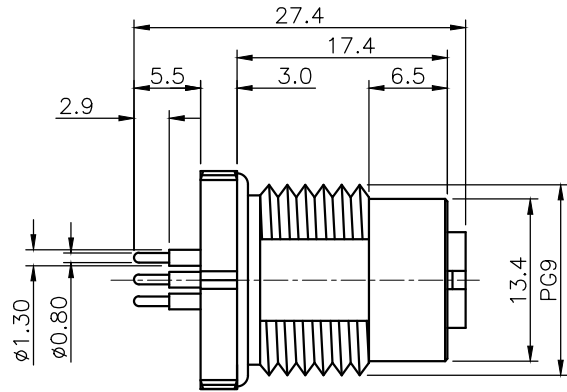


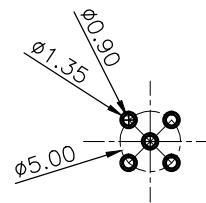
REV.	DESCRIPTION	DRAWN	DATE
1	INITIAL RELEASE	Willis	2013/12/24
2	ECR-1700024	Fros	2017/10/06
3	ECR220421001	TIM	2022/04/21

**SPECIFICATION:**

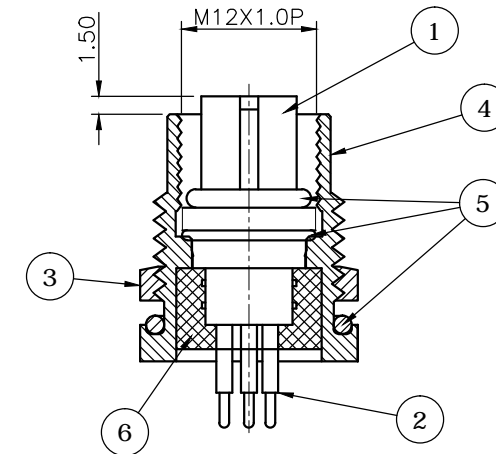
1. CURRENT RATING: 4A
2. VOLTAGE: 60V
3. WATER PROOF: IPX7
4. OPERATION TEMPERATURE: -40°C TO +85°C



RECOMMENDED CUT OUT



RECOMMENDED LAYOUT



6	EPOXY	EPOXY
5	O-RING	EPDM
4	SHELL	BRASS, NICKEL PLATED
3	NUT	BRASS, NICKEL PLATED
2	CONTACT	BRASS, 10u" GOLD PLATED UNDER NICKEL
1	HOUSING	PBT, UL94V-0, BLACK
NO	PART NAME	DESCRIPTION

UNLESS OTHERWISE SPECIFIED TOLERANCE

UNIT:	DECIMAL	LINEAR	ANGLES
mm	X.	±0.50	±5°
	X.X	±0.25	±3°
	X.XX	±0.12	±1°



www.attend.com.tw

DRAWN	Willis	2013/12/24	DRAWN NAME:	M12 A-Code 5 Pin Receptacle	
CHECKED	Angel	2013/12/24		Female Straight PCB Type, Front Fastened	
APPROVED	Ken	2013/12/24	PRODUCT NO.	216A-05FSF	
SCALE	1.6	SHEET	1/1	SIZE	A4
		FILE NAME	216A-05FSF_B_3		