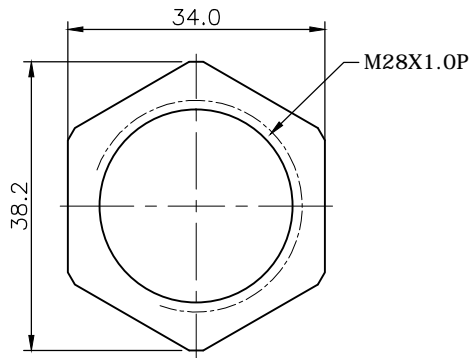
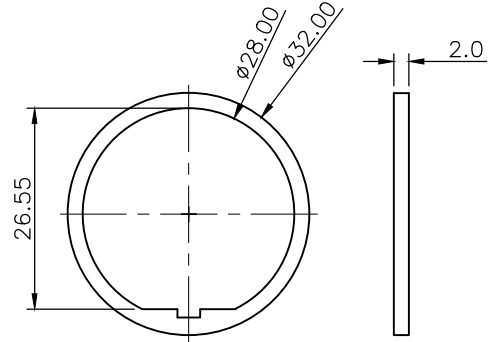


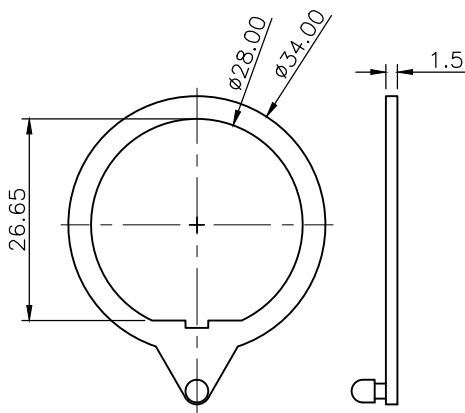
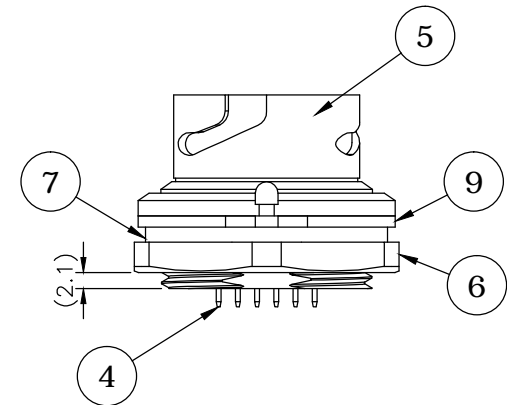
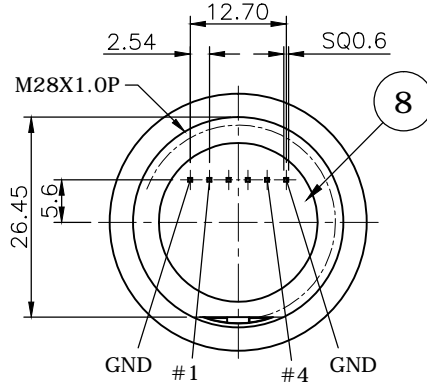
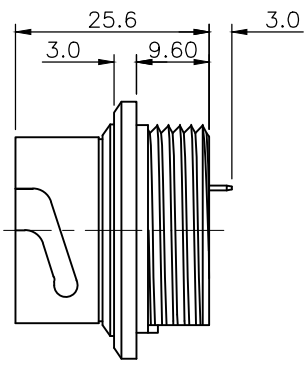
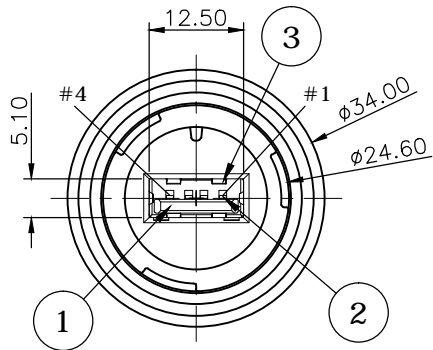
REV.	DESCRIPTION	DRAWN	DATE
1	INITIAL RELEASE	TIM	2016/09/01
2	ECR2000015	TIM	2020/10/29



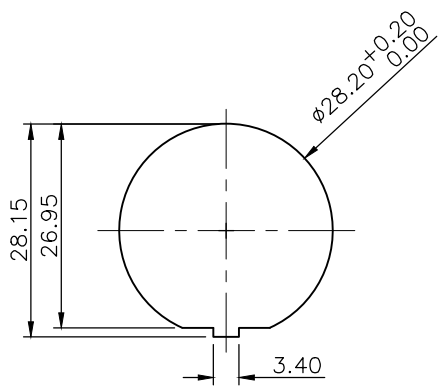
NUT



O-RING



WASHER



RECOMMEND PANEL CUT OUT

**SPECIFICATION:**

1. CURRENT RATING: 1A
2. VOLTAGE RATING: 30V
3. WATER PROOF: IP67
4. OPERATION TEMPERATURE: -20°C TO +85°C
5. Durability: 1,500 cycles
6. Insertion Force: 35N Max.
7. Extraction Force: 10N Min.

9	WASHER	PBT, UL94V-0, BLACK
8	EPOXY BASE	
7	O-RING	SILICON
6	NUT	PBT, UL94V-0, BLACK
5	BODY	PBT, UL94V-0, BLACK
4	PIN HEADER	BRASS, GOLD FLASH
3	SHELL	BRASS, NICKEL PLATING ON OVER ALL
2	CONTACT	PHOSPHOR BRONZE, GOLD FLASH
1	HOUSING	PBT, UL94V-0, BLACK
NO	PART NAME	DESCRIPTION

UNLESS OTHERWISE SPECIFIED TOLERANCE

UNIT:	DECIMAL	LINEAR	ANGLES
mm	X.	±0.50	±5°
	X.X	±0.25	±3°
	X.XX	±0.12	±1°



WWW.ATTEND.COM.TW

DRAWN	Tim	2016/09/01	DRAWN NAME: USB 2.0 A Type Waterproof Socket
CHECKED	Fros	2016/09/01	
APPROVED	Ken	2016/09/01	PRODUCT NO. 222A-01001
SCALE	1/1	SHEET 1/1	SIZE A4
FILE NAME		222A-01001_B_2	