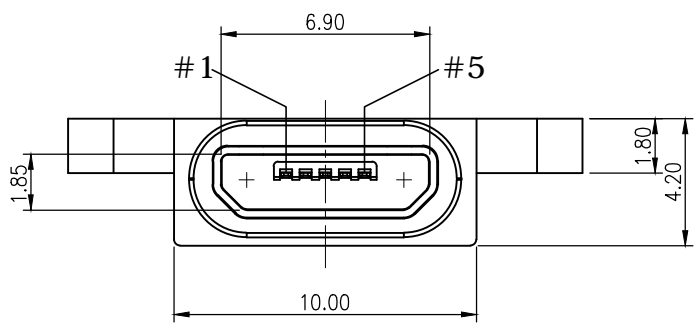
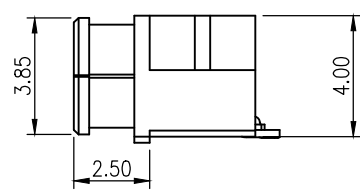


BACK VIEW

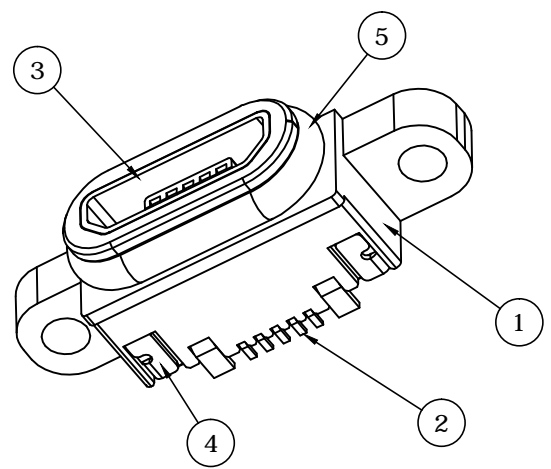
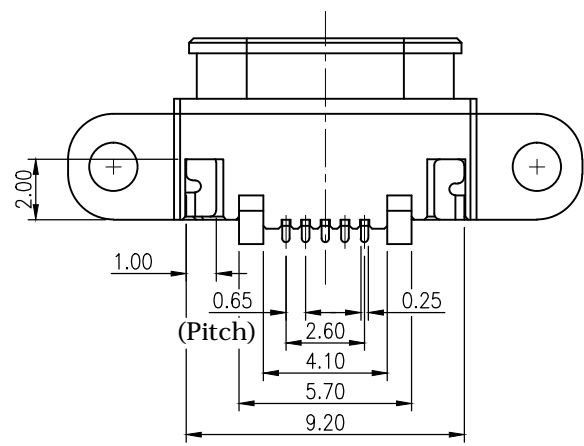
Epoxy



FRONT VIEW



RIGHT VIEW



REV.	DESCRIPTION	DRAWN	DATE
2	REVISED FRAME, ADD SPEC. ITEM 3.3	Fros	2015/10/26
3	Add Packaging Notes	Fros	2019/04/29
4	ECR2100007	Fros	2021/03/12

**SPECIFICATION:**

1. ELECTRICAL
  - 1.1 Current Rating:  
Signal (Pin2,3,4): 1.0A  
Power (Pin1,5): 1.8A ,Other: 0.5A
  - △ 1.2 Voltage Rating: 30V max
  - 1.3 Contact Resistance: 40mΩ max
  - 1.4 Insulation Resistance: 1000MΩ
  - 1.5 Dielectric Withstanding Voltage: 100VAC
2. MECHANICAL
  - 2.1 Durability: 10,000 Cycle
  - 2.2 Insertion Force: 35N max.
  - 2.3 Extraction Force: 8~ 20N max.
3. ENVIRONMENTAL
  - 3.1 Operating temperature range: -25°C~+85°C
  - 3.2 Storage temperature range: -20°C~+85°C
  - △ 3.3 Wasterproof Level: IPX7
4. SOLDER ABILITY
  - 4.1 Recommended IR Reflow Temperature: 260°C +0/-5°C

5	O-RING	Silicon
4	HOLDDOWN	Brass C2680, Matte Tin plating
3	SHELL	Stainless steel SUS301, Matte Tin plating
2	CONTACT	Phosphor Bronze C5191, Contact area: 10u" gold, Solder tail: gold flash
1	HOUSING	LCP, UL94V-0, Black
NO.	PART NAME	DESCRIPTION

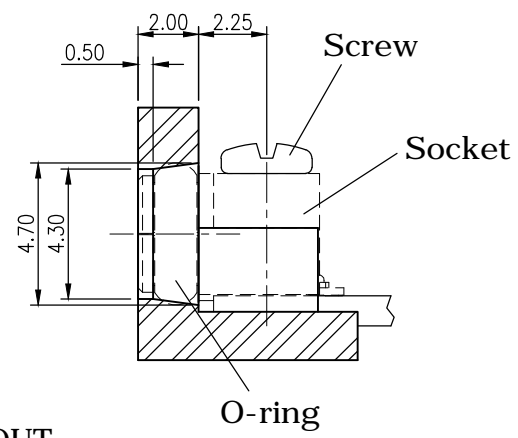
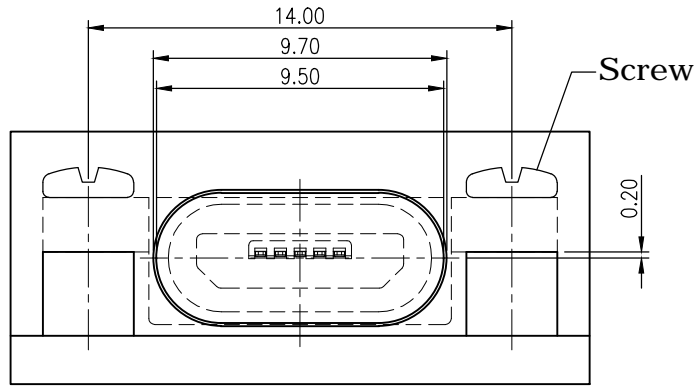
UNLESS OTHERWISE SPECIFIED TOLERANCE			
UNIT:	DECIMAL	LINEAR	ANGLES
mm	X.	±0.50	±5°
	X.X	±0.25	±3°
	X.XX	±0.12	±1°



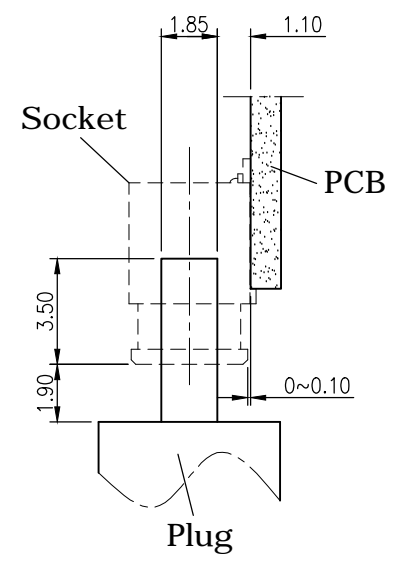
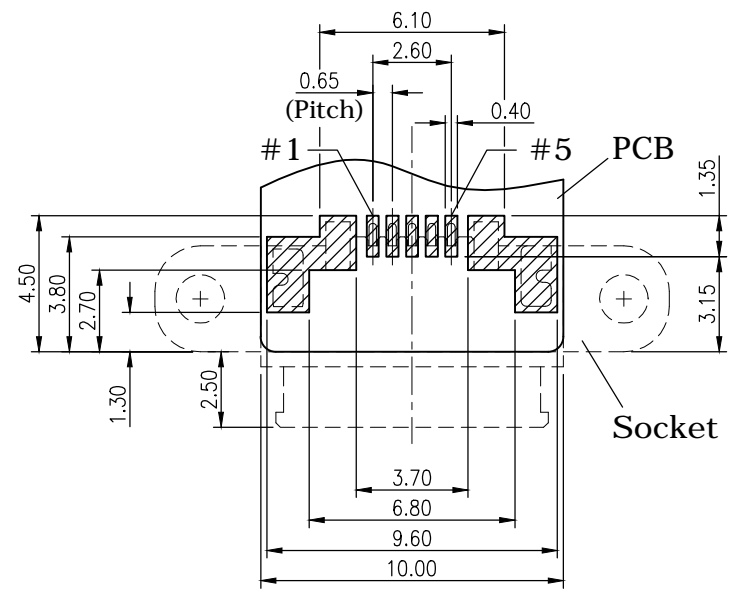
WWW.ATTEND.COM.TW

DRAWN	Willis	2014/07/21	DRAWN NAME:	
CHECKED	Angel	2014/07/21	Micro USB B Receptacle Waterproof SMD Type	
APPROVED	Ken	2014/07/21	PRODUCT NO.	207G-BD00
SCALE	4/1	SHEET	1/3	SIZE
			FILE NAME	207G-BD00_B_4

REV.	DESCRIPTION	DRAWN	DATE
	see sheet one		



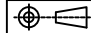
RECOMMEND CUT OUT

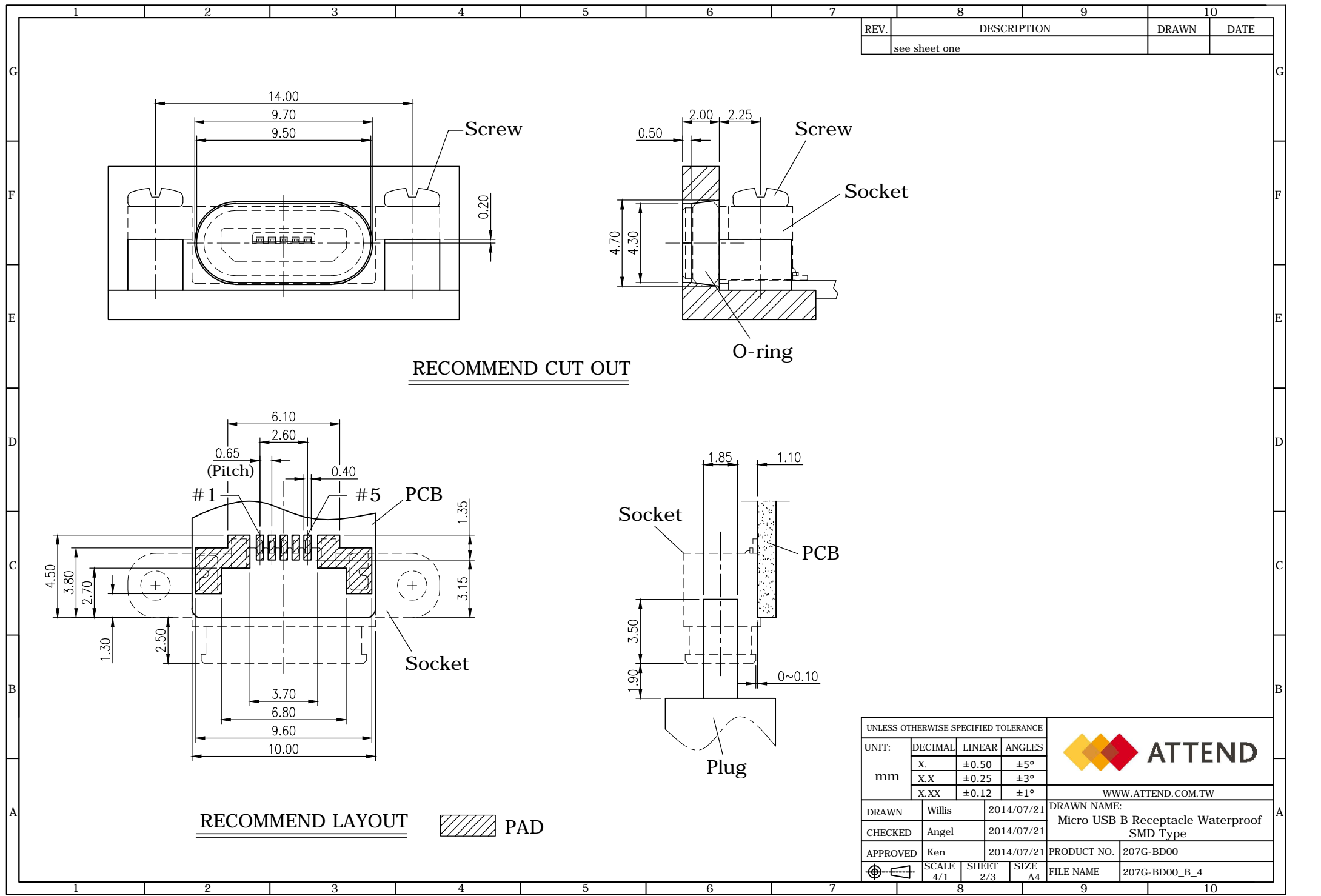


RECOMMEND LAYOUT  PAD

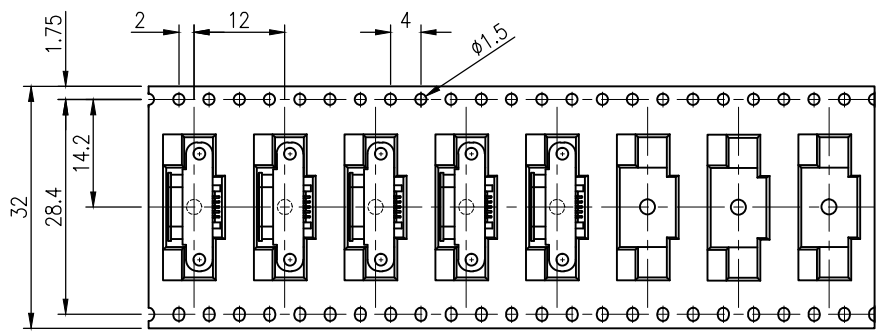
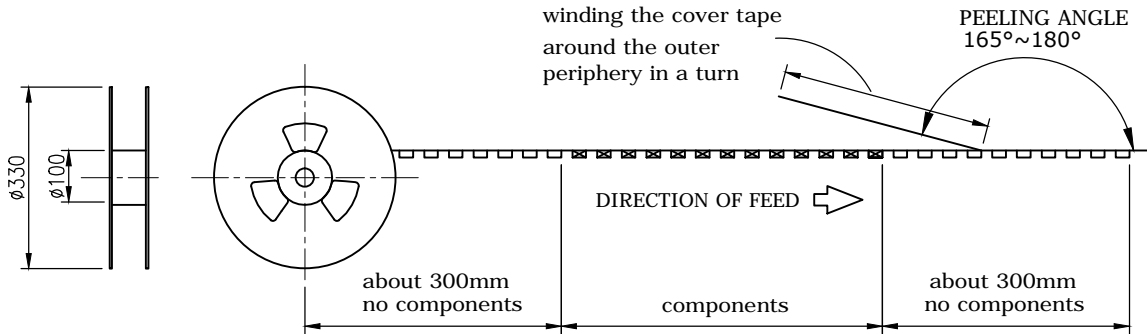
UNLESS OTHERWISE SPECIFIED TOLERANCE			
UNIT:	DECIMAL	LINEAR	ANGLES
mm	X.	±0.50	±5°
	X.X	±0.25	±3°
	X.XX	±0.12	±1°

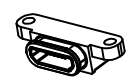


DRAWN	Willis	2014/07/21	DRAWN NAME:	Micro USB B Receptacle Waterproof SMD Type
CHECKED	Angel	2014/07/21		
APPROVED	Ken	2014/07/21	PRODUCT NO.	207G-BD00
	SCALE	SHEET	SIZE	FILE NAME
	4/1	2/3	A4	207G-BD00_B_4




REV.	DESCRIPTION	DRAWN	DATE
	see sheet one		



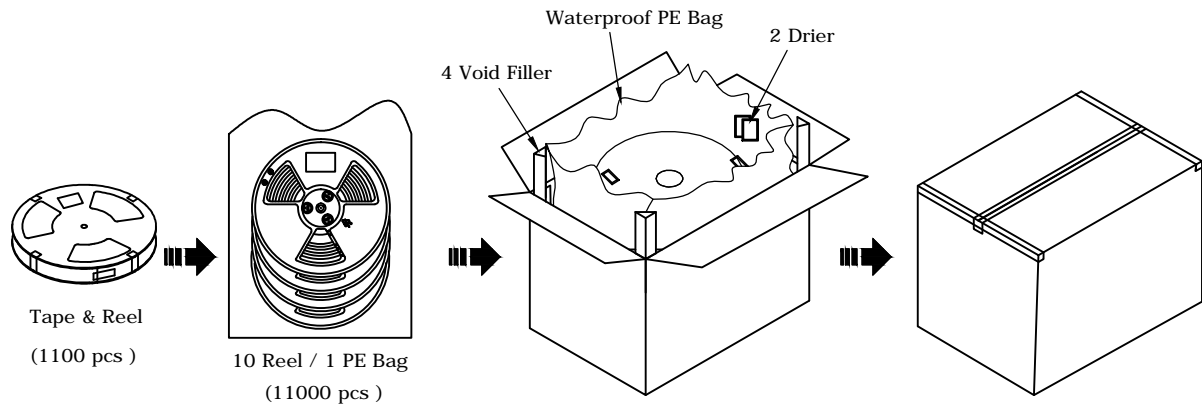
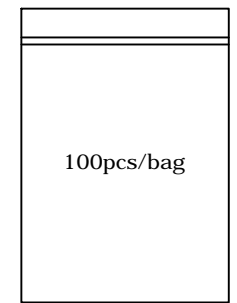



Connector



accessory

Connector is packed in reel and O-ring is packed in a zip bag.



UNLESS OTHERWISE SPECIFIED TOLERANCE				 <b>ATTEND</b>
UNIT:	DECIMAL	LINEAR	ANGLES	
mm	X.	±0.50	±5°	
	X.X	±0.25	±3°	
	X.XX	±0.12	±1°	
WWW.ATTEND.COM.TW				
DRAWN	Willis	2014/07/21	DRAWN NAME:	
CHECKED	Angel	2014/07/21	Micro USB B Receptacle Waterproof SMD Type	
APPROVED	Ken	2014/07/21	PRODUCT NO. 207G-BD00	
SCALE	4/1	SHEET 3/3	SIZE A4	FILE NAME 207G-BD00_B_4