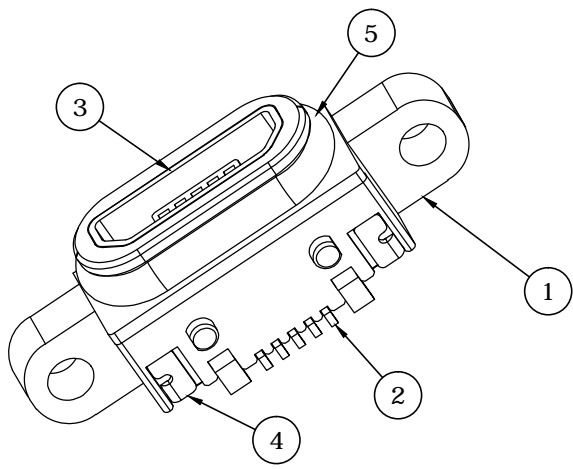
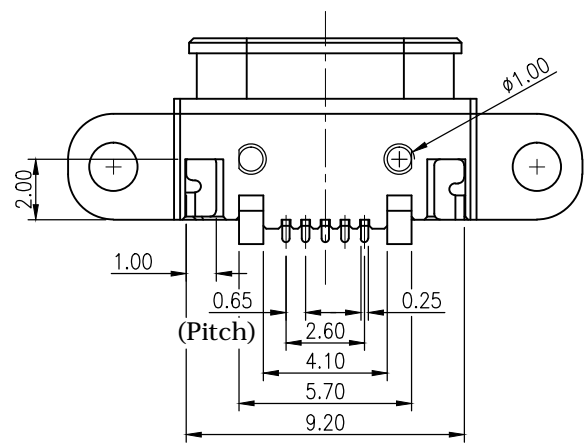


FRONT VIEW

RIGHT VIEW



REV.	DESCRIPTION	DRAWN	DATE
2	Add Packaging Notes	Fros	2019/04/29
3	ECR1900010, 1000pcs/reel	Fros	2019/06/24
4	ECR2100007	Fros	2021/03/12

SPECIFICATION:

1. ELECTRICAL
 - 1.1 Current Rating:
Signal (Pin2,3,4): 1.0A
Power (Pin1,5): 1.8A ,Other: 0.5A
 - 1.2 Voltage Rating: 30V max
 - 1.3 Contact Resistance: 40mΩ max
 - 1.4 Insulation Resistance: 1000MΩ
 - 1.5 Dielectric Withstanding Voltage: 100VAC

2. MECHANICAL
 - 2.1 Durability: 10,000 Cycle
 - 2.2 Insertion Force: 35N max.
 - 2.3 Extraction Force: 8~20N max.

3. ENVIRONMENTAL
 - 3.1 Operating temperature range: -25°C~+85°C
 - 3.2 Storage temperature range: -20°C~+85°C
 - 3.3 Wasterproof Level: IPX7

4. SOLDER ABILITY
 - 4.1 Recommended IR Reflow Temperature:
260°C +0/-5°C

5	O-RING	Silicon
4	HOLDDOWN	Brass C2680, Matte Tin plating
3	SHELL	Stainless steel SUS301, Matte Tin plating
2	CONTACT	Phosphor Bronze C5191, Contact area: 10u" gold, Solder tail: gold flash
1	HOUSING	LCP, UL94V-0, Black
NO.	PART NAME	DESCRIPTION

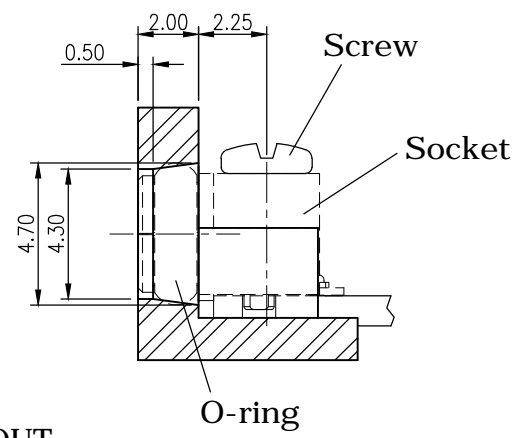
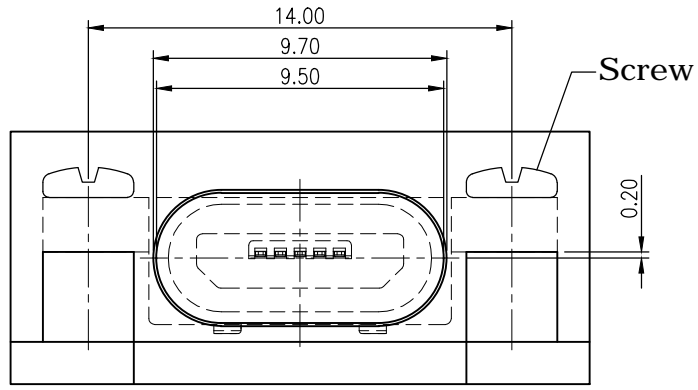
UNLESS OTHERWISE SPECIFIED TOLERANCE			
UNIT:	DECIMAL	LINEAR	ANGLES
mm	X.	±0.50	±5°
	X.X	±0.25	±3°
	X.XX	±0.12	±1°



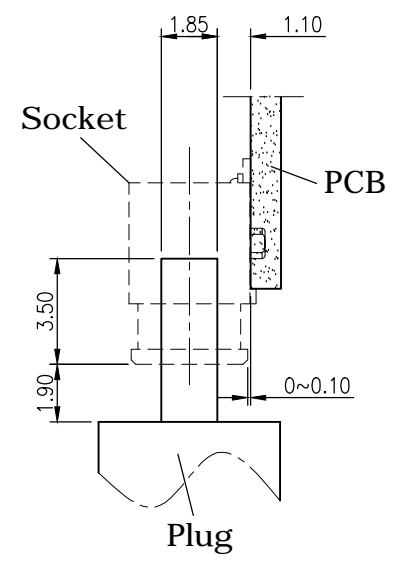
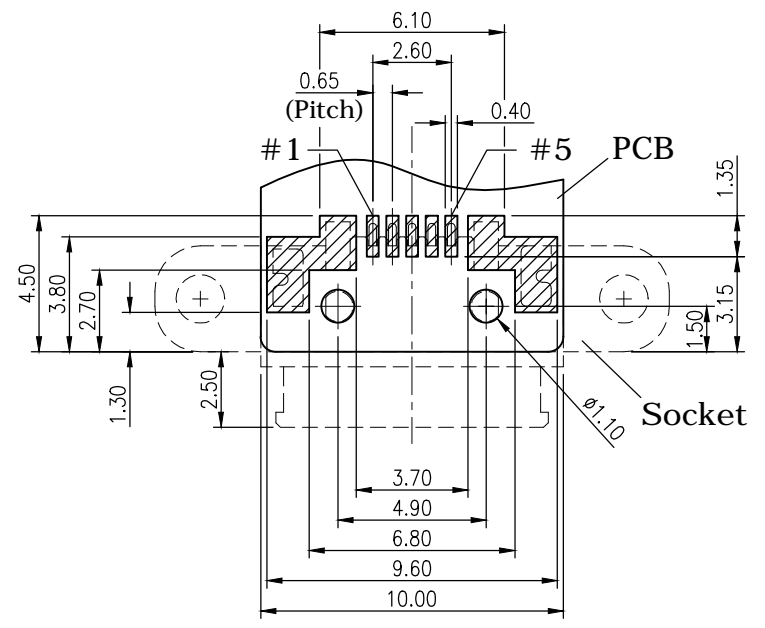
WWW.ATTEND.COM.TW

DRAWN	Tim	2018/08/01	DRAWN NAME:	Micro USB B Type Receptacle Waterproof , SMD, 10u" gold ,With post			
CHECKED	Fros	2018/08/01					
APPROVED	Ken	2018/08/01	PRODUCT NO.	207G-BD01			
SCALE	4/1	SHEET	1/3	SIZE	A4	FILE NAME	207G-BD01_B_4


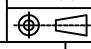
REV.	DESCRIPTION	DRAWN	DATE
	see sheet one		



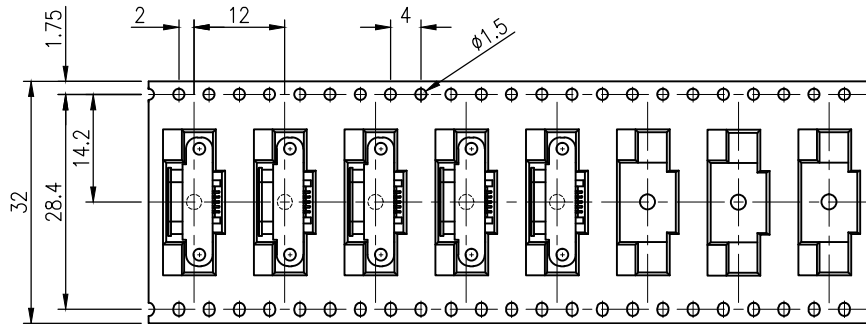
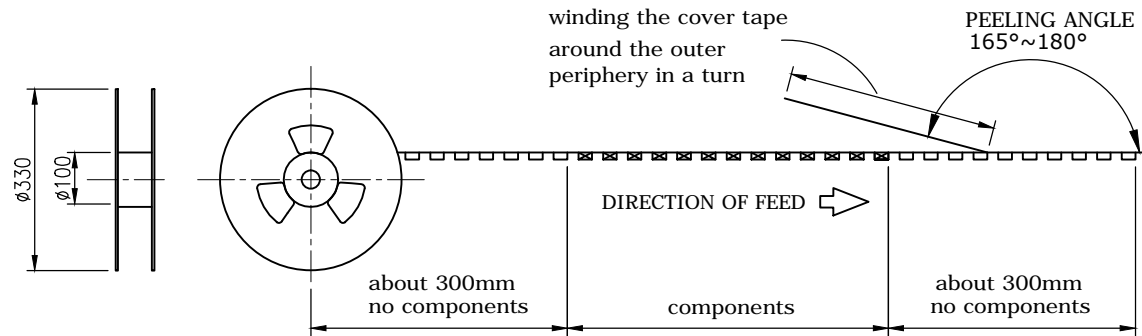
RECOMMEND CUT OUT




RECOMMEND LAYOUT  PAD


UNLESS OTHERWISE SPECIFIED TOLERANCE					
UNIT:	DECIMAL	LINEAR	ANGLES		
mm	X.	±0.50	±5°	WWW.ATTEND.COM.TW	
	X.X	±0.25	±3°		
	X.XX	±0.12	±1°		
DRAWN	Tim	2018/08/01	DRAWN NAME:		
CHECKED	Fros	2018/08/01	Micro USB B Type Receptacle Waterproof , SMD, 10u" gold ,With post		
APPROVED	Ken	2018/08/01	PRODUCT NO.	207G-BD01	
	SCALE	SHEET	SIZE	FILE NAME	
	4/1	2/3	A4	207G-BD01_B_4	

REV.	DESCRIPTION	DRAWN	DATE
	see sheet one		



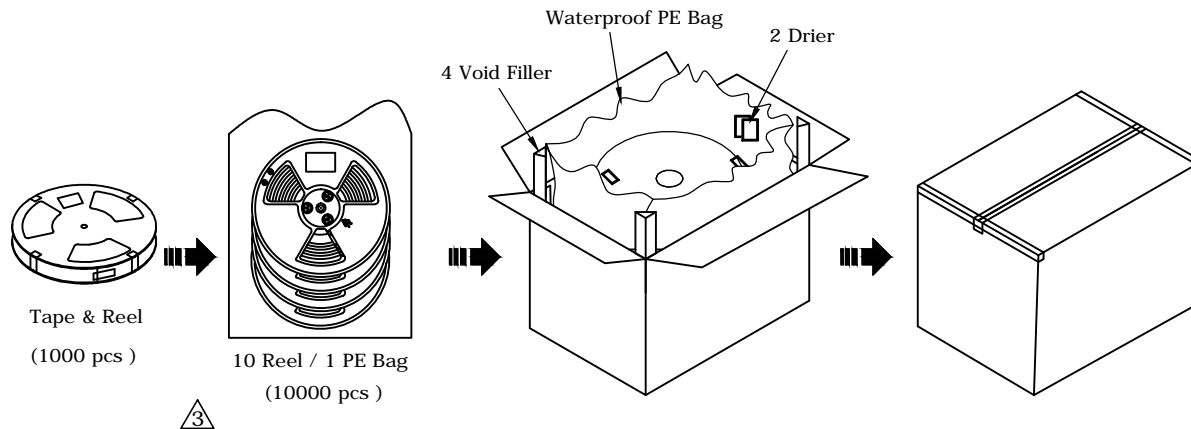
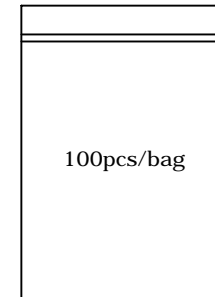



Connector



accessory

Connector is packed in reel and O-ring is packed in a zip bag.



UNLESS OTHERWISE SPECIFIED TOLERANCE				 ATTEND
UNIT:	DECIMAL	LINEAR	ANGLES	
mm	X.	±0.50	±5°	
	X.X	±0.25	±3°	
	X.XX	±0.12	±1°	
WWW.ATTEND.COM.TW				
DRAWN	Tim	2018/08/01	DRAWN NAME: Micro USB B Type Receptacle Waterproof , SMD, 10u" gold ,With post	
CHECKED	Fros	2018/08/01		
APPROVED	Ken	2018/08/01		
SCALE		SHEET	SIZE	FILE NAME
N/A		3/3	A4	207G-BD01_B_4