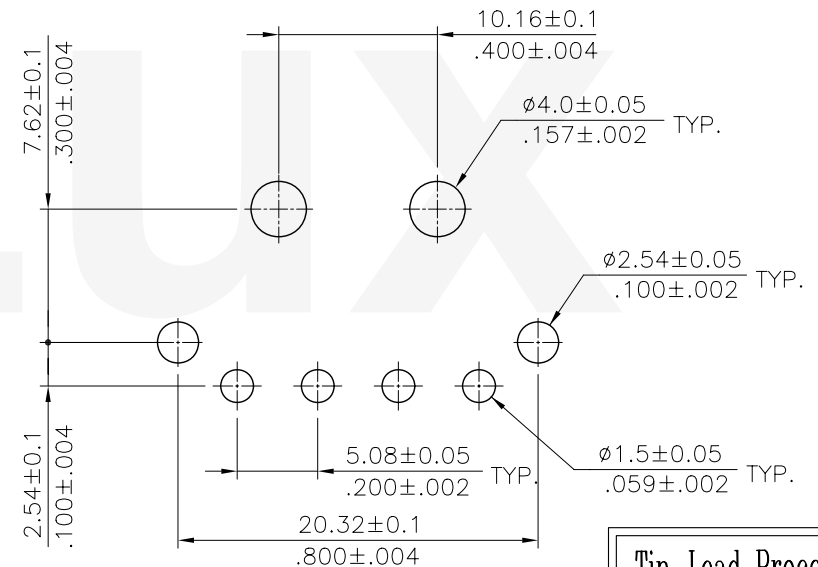
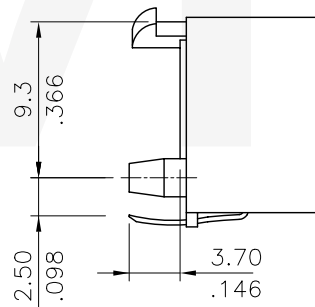


Material :
 * Insulation : Nylon 66 UL 94V-2
 Color Nature
 * Contact : Pre-tinned Brass

Ordering Code:

CP33 04 P 1 H 00
 ① ② ③ ④ ⑤ ⑥


- ① Series No.
- ② No. of Circuits: 4 Circuits
- ③ Contact type: P= Male
- ④ Contact plated:
1= Tin over 1.27μm (50μ") Nickel
- ⑤ Tail style: H= Right angle
- ⑥ Option: 00= Standard



Tin-Lead Process
 RoHS Compliant

Halogen-Free

Recommended P.C Board layout

4	SUN	9/17/03'	ECR03025-0/ECN03302	APPROVED BY: Alex	DATE: 09/23-03'	UNIT: mm / inch	TITLE: 5.08MM(.200") RIGHT ANGLE POWER HEADER CONNECTORS		 瀚荃股份有限公司 CviLux Corporation				
							DRAWING NO. CP3303SD	PART NO. CP3304P1H00		SCALE 2 / 1	SHEET 1 OF 1		
												TOLERANCE UNLESS OTHERWISE SPECIFIED	
												MATERIAL:	
3				DRAWN BY: Sun	09/19-03'	.X ± 0.38 / .015	X' ± 1"						
2				ENGINEER: Eisley	09/22-03'	.XX ± 0.25 / .010	.X' ±						
1				CHECKED BY: David	09/23-03'	.XXX ± 0.15 ± .006	.XX' ±						
SYMBOL	NAME	DATE	REVISIONS	APPROVED BY:	DATE								

CIVILUX CORP
 2003.09.23
 ISSUED