

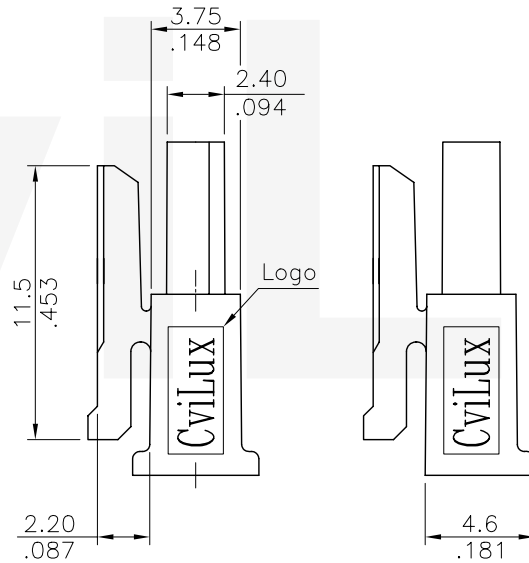
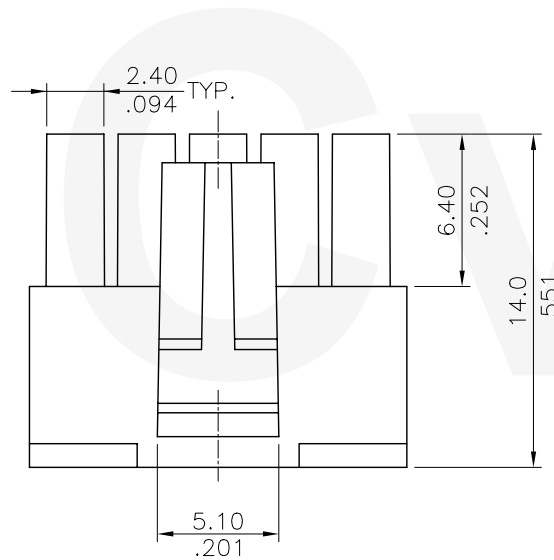
BACK VIEW

Material : PBT. UL 94V-0

Ordering Code:

CP35 ** S 001 S
 ① ② ③ ④ ⑤

- ① Series No.
- ② Connector: 02 to 12
- ③ Contact type: S = Receptacle
- ④ Color: 001 = Color Black
- ⑤ Option: S= Single Row



Other Circuits

2 Circuits

| Circuits | Dimension | |
|----------|--------------|-------------|
| | A | B |
| 2 | 3.00(.118) | 6.9(.272) |
| 3 | 6.00(.236) | 9.9(.390) |
| 4 | 9.00(.354) | 12.9(.508) |
| 5 | 12.00(.472) | 15.9(.626) |
| 6 | 15.00(.591) | 18.9(.744) |
| 7 | 18.00(.709) | 21.9(.862) |
| 8 | 21.00(.827) | 24.9(.980) |
| 9 | 24.00(.945) | 27.9(1.098) |
| 10 | 27.00(1.063) | 30.9(1.217) |
| 11 | 30.00(1.181) | 33.9(1.335) |
| 12 | 33.00(1.299) | 36.9(1.453) |

| | | | | | | | | | | | |
|-----|------|------|-----------|--|-------------------|----------|--------------------------------------|--|------------------------------------|----------------------|----------------------|
| ④ | | | | | | DATE | UNIT: mm / inch | TITLE: 3.00mm PITCH POWER CONNECTOR FEMALE HOUSING | 瀚荃股份有限公司 CviLux Corporation | | |
| ③ | | | | | DRAWN BY: Sandy | 08/03-06 | TOLERANCE UNLESS OTHERWISE SPECIFIED | MATERIAL: | | DRAWING NO. CP3547SA | PART NO. CP35**S001S |
| ② | | | | | ENGINEER: Eisley | 08/07-06 | .X ±0.30/.012 .X' ± 1' | | | SCALE 3 / 1 | SHEET 1 OF 1 |
| ① | | | | | CHECKED BY: David | 08/07-06 | .XX ±0.20/.008 .X' ± | FINISH: | | | |
| SYM | NAME | DATE | REVISIONS | | APPROVED BY: Alex | 08/07-06 | .XXX ±0.10/.004 .XX' ± | | | | |