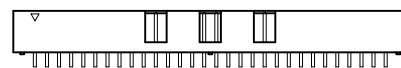


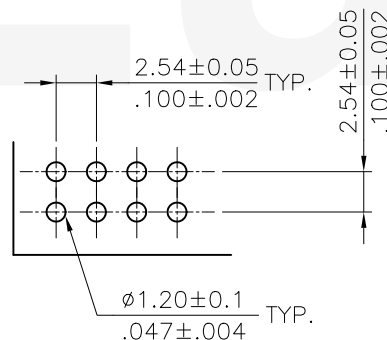
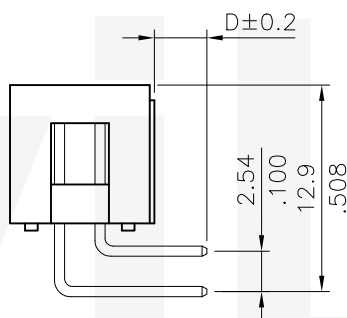
Material:
* Contact: Brass



FOR 60 Circuits



FOR 64 Circuits



Ordering Code:

CH87 ** * H * **
① ② ③ ④ ⑤ ⑥

- ① Series No.
- ② No. of contacts
- ③ Plating option:
 - 1= 3.05μm(120μ") Min. Tin over 1.27μm(50μ") Nickel
 - 2= Gold flash plated over 1.27μm(50μ") Nickel
 - 3= 0.38μm(15μ") Gold plated over 1.27μm(50μ") Nickel
 - 4= 0.76μm(30μ") Gold plated over 1.27μm(50μ") Nickel
- ④ H= Right Angle
- ⑤ Insulation:
 - 2= PBT UL 94V-0, Color Black
 - A= Nylon 6T UL 94V-0, Color Black
- ⑥ Option code: 00= Dim.D 3.1mm
01= Dim.D 2.8mm

A = 2.54 * No. of Spaces
B = A + 10.16
C = A + 7.86

* Available circuits: 6, 8, 10, 12, 14, 16, 20, 24, 26, 30, 34, 40, 44, 50, 60 and 64
△△

Recommended P.C. Board Layout

RoHS Compliant

CVILUX CORP
 2013.12.05
 ISSUED

④					DATE	UNIT: mm / inch	TITLE: 2.54MM(.100") RIGHT ANGLE DUAL ROW BOX PIN HEADER	瀚荃股份有限公司 CviLux Corporation
③				DRAWN BY: Enya	11/20-13'	TOLERANCE UNLESS OTHERWISE SPECIFIED	MATERIAL:	
②	Enya	11/19-13'	ECNT113127/ECRT113039	ENGINEER: Sun	11/21-13'	.X ± 0.30/.012 X: ± 1"	FINISH:	DRAWING NO. CH8721SC PART NO. CH87***H***
①	SUN	11/22/05	ECN05392	CHECKED BY: Eisley	11/21-13'	.XX ± 0.20/.008 .X: ±		SCALE 2 / 1 SHEET 1 OF 1
SYM	NAME	DATE	REVISIONS	APPROVED BY: Eisley	11/21-13'	.XXX ± 0.10/.004 .XX: ±		