

Material:

\* Insulation: Nylon 66 UL 94V-2

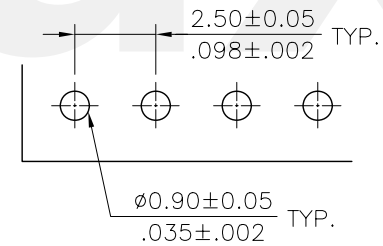
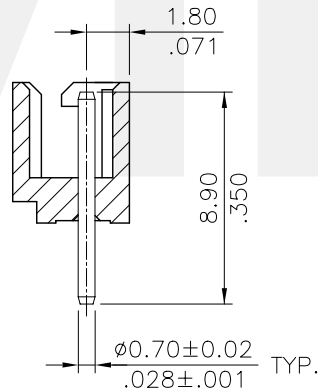
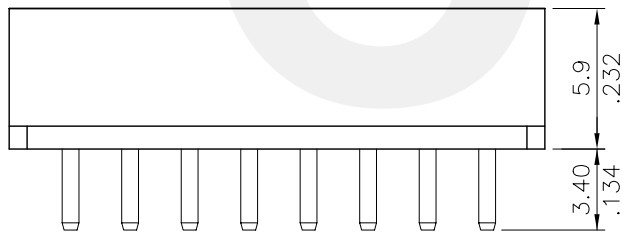
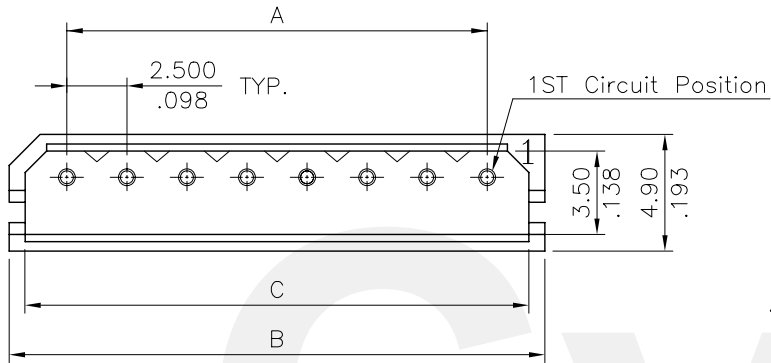
\* Contact: Brass, round pins

### Ordering Code:

CI25 \*\* P 1 V 0 0  
 ① ② ③ ④ ⑤ ⑥ ⑦

- ① Series No.
- ② No. of Circuits
- ③ Contact type: P= Pin header
- ④ Plating option:  
 1= 3.05 $\mu$ m(120 $\mu$ "") Tin  
 over 0.76 $\mu$ m(30 $\mu$ "") Nickel
- ⑤ Tail Style: V= Straight
- ⑥ Color option: 0= Color Ivory  
 1= Color Black  
 3= Color Red
- ⑦ Option: 0= Standard

Circuits	Dimension		
	A	B	C
2	2.50(.098)	7.5(.295)	6.00(.236)
3	5.00(.197)	10.0(.394)	8.50(.335)
4	7.50(.295)	12.5(.492)	11.00(.433)
5	10.00(.394)	15.0(.591)	13.50(.531)
6	12.50(.492)	17.5(.689)	16.00(.630)
7	15.00(.591)	20.0(.787)	18.50(.728)
8	17.50(.689)	22.5(.886)	21.00(.827)
9	20.00(.787)	25.0(.984)	23.50(.925)
10	22.50(.886)	27.6(1.087)	26.00(1.024)
11	25.00(.984)	30.1(1.185)	28.50(1.122)
12	27.50(1.083)	32.6(1.283)	31.00(1.220)
13	30.00(1.181)	35.1(1.382)	33.50(1.319)
14	32.50(1.280)	37.6(1.480)	36.00(1.417)
15	35.00(1.378)	40.1(1.579)	38.50(1.516)




Recommended P.C. Board Layout

Halogen-Free

Tin-Lead Process

RoHS Compliant

④					DATE	UNIT: mm / inch	TITLE: 2.50MM(.098") STRAIGHT HEADERS	 瀚荃股份有限公司 CviLux Corporation
③					DRAWN BY: Bill	TOLERANCE UNLESS OTHERWISE SPECIFIED	MATERIAL:	
②					ENGINEER: Eisley	.X ± 0.30/.012 X* ± 1'	FINISH:	
①	Bill	8/10'07	ECR07093-0/ECN07309		CHECKED BY: David	.XX ± 0.20/.010 .X* ±	DRAWING NO. CI2503SI	
SYMBOL	NAME	DATE	REVISIONS		APPROVED BY: Alex	.XXX ± 0.10/0.04 .XX* ±	PART NO. CI25**P1V*0	DRAWING NO. CI2503SI
							SCALE 3 / 1	PART NO. CI25**P1V*0
							SHEET 1 OF 1	

CVILUX CORP  
 2007.08.20  
 ISSUED