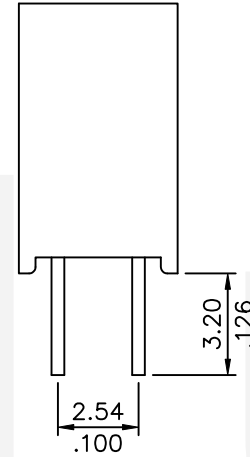
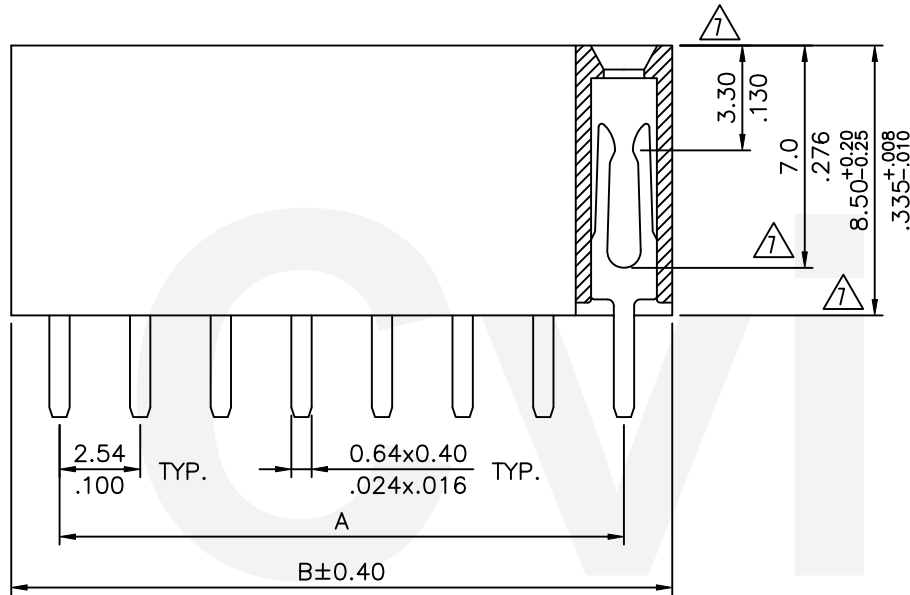
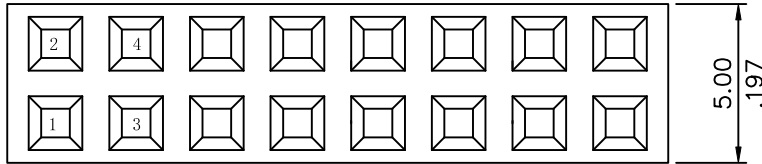


Material:

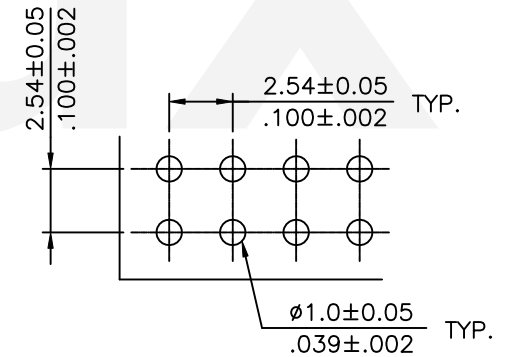
- ⚠️* Insulation: PBT With 30% G.F. UL 94V-0
- * Contact: Brass



Ordering Code:

CB91 ** 2 V 1 00
 ① ② ③ ④ ⑤ ⑥

- ① Series No.
- ② NO. of Circuits:
- ③ Plating code:
2= Gold flash plated over 1.27μm(50μ") Nickel
- ④ Tail Style: V= Straight
- ⑤ Color: 1= Black
- ⑥ Other options: 00= Standard



Recommended P.C. Board Layout

A = 2.54 * No. of Spaces

B = A + 3.04

⚠️* Available in 4 ~ 80 circuits

PIN	Tolerance
04~40	±0.20
42~80	±0.35



RoHS Compliant

SYMBOL	NAME	DATE	REVISIONS	APPROVED BY:	DATE	UNIT: mm / inch	TITLE: 2.54MM(.100") DUAL ROW BOARD MOUNT CONNECTOR	瀚荃股份有限公司 CviLux Corporation			
⑦	Karen	9/23-19'	ECNT119300/ECRS119004			UNIT: mm / inch	MATERIAL:	DRAWING NO.	CB9101SM	PART NO.	CB91**2V100
⑥	Enya	1/25-13'	ECN13024-0/ECR12113-0	DRAWN BY: Karen	11/1-19'	TOLERANCE UNLESS OTHERWISE SPECIFIED					
⑤	Enya	10/22-12	ECN12256-0/ECR12081-0	ENGINEER: Sun	11/1-19'	.X ± 0.25/.010 X.* ± 3'	FINISH:	SCALE	3 / 1	SHEET	1 OF 1
④	Karen	10/21-11'	ECN11244/ECR11083-0	CHECKED BY: Eisley	11/5-19'	.XX ± 0.20/.008 .X.* ±					
③				APPROVED BY: Eisley	11/5-19'	.XXX ± 0.10/.004 .XX.* ±					