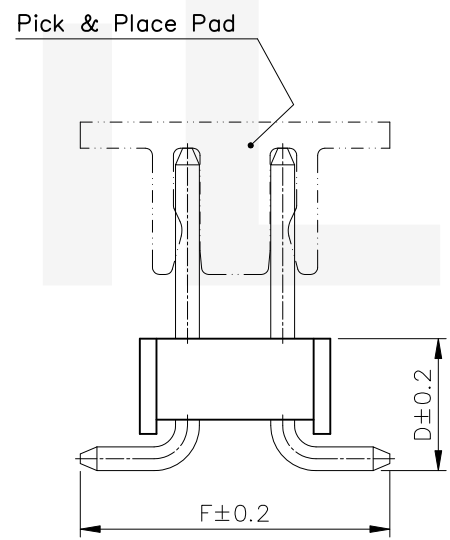
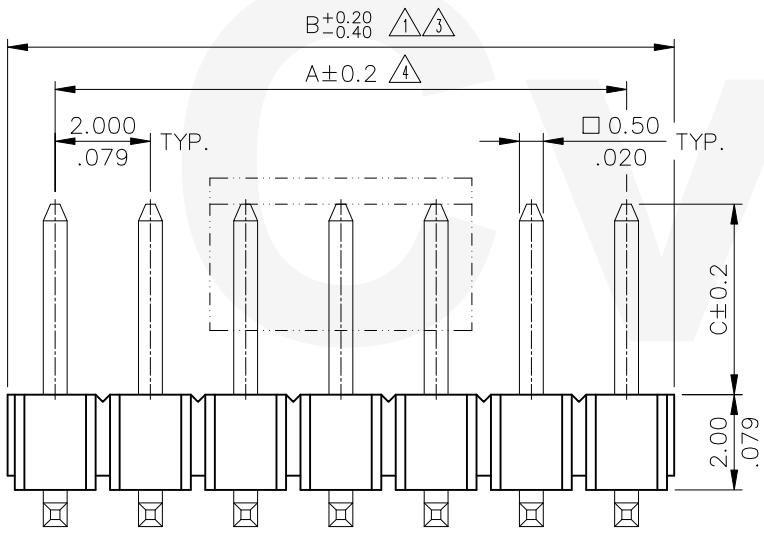


Recommended P.C. Board Layout



DIM. A = 2.00 X No. of Spaces  
 DIM. B = DIM. A + 2.00  
 \* Available in 4 through 80 Citsuits

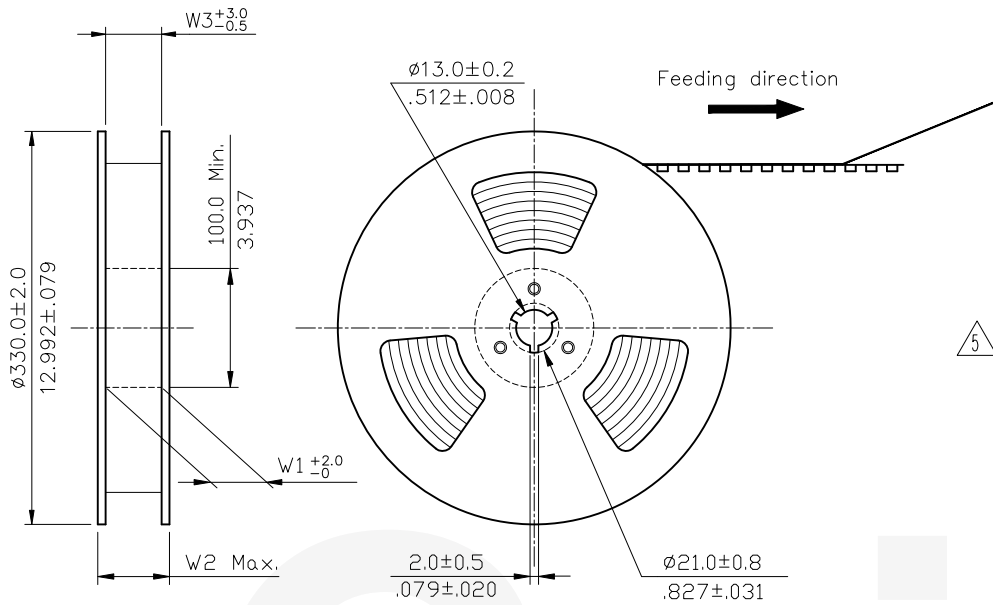
Notes:  
 \* Material:  
 Insulator: Nylon 6T With 30% GF.  
 UL 94V-0 Color Black  
 Square Pin: Brass  
 Pick & Place Pad:  
 Nylon 6T UL 94V-0, Color Black  
 △ \* Pin overall Length 30.0mm Max.

Ordering Code:  
 CH71 \* \* M 1 \*\* - 0 P  
 ① ② ③ ④ ⑤ ⑥ ⑦ ⑧

- ① Series No.
- ② No. of Contact: 04 to 80
- ③ Plating code:  
 1=3.05 μm(120 μ") Min. Tin  
 over 0.79 μm(30 μ") Nickel  
 2=Gold Flash plated over  
 1.27 μm(50 μ") Nickel  
 3=0.38 μm(15 μ") Gold plated  
 over 1.27 μm(50 μ") Nickel  
 4=0.76 μm(30 μ") Gold plated  
 over 1.27 μm(50 μ") Nickel
- ④ Tail & Mounting Style:  
 M=Straight SMT Type
- ⑤ Insulator Material & Color:  
 1=Nylon 6T , Color Black
- ⑥ Option Code:  
 See Table PDF. File No. CH7117T
- ⑦ Pin Size: 0=Original design
- ⑧ 0=Without Pick & Place Pad  
 (Tube packaged)  
 P=With Pick & Place Pad  
 (Tape & Reel packing)

RoHS Compliant

△5	Yushu	7/09/19'	ECRB119043/ECNT119173			DATE	UNIT: mm / inch	TITLE: 2.00mm(.079") DUAL ROW SURFACE BOARD MOUNT PIN HEADER	 瀚荃股份有限公司 CviLux Corporation		
△4	Sun	4/12/19'	ECNT119093		DRAWN BY: Yushu	7/09-19'	TOLERANCE UNLESS OTHERWISE SPECIFIED	MATERIAL:		DRAWING NO. CH7117SH	PART NO. CH71***M1**-0*
△3	Aaron	10/21-16'	ECNT116250/ECRB116072		ENGINEER: Sun	7/10-19'	.X ± 0.25/.010 X' ± 1'	FINISH:		SCALE 6 / 1	SHEET 1 OF 2
△2	Sun	1/19/06'	ECN06019		CHECKED BY: Eisley	7/12-19'	.XX ± 0.15/.006 .X' ±				
SYM	NAME	DATE	REVISIONS		APPROVED BY: Eisley	7/12-19'	.XXX ± 0.10/.004 .XX' ±				

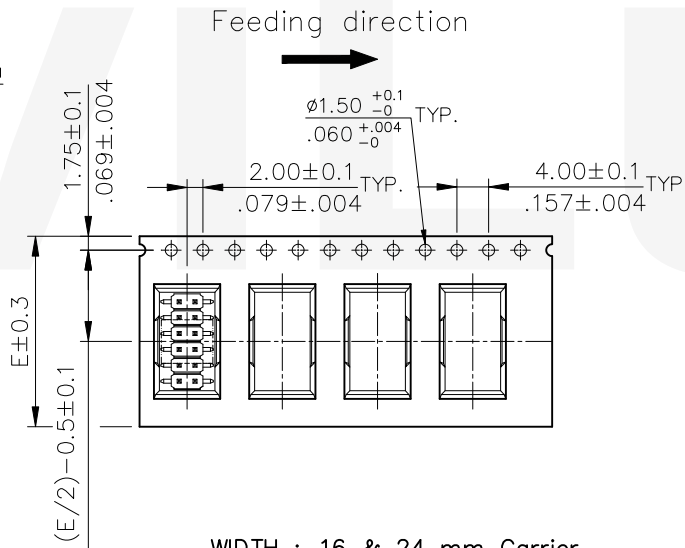
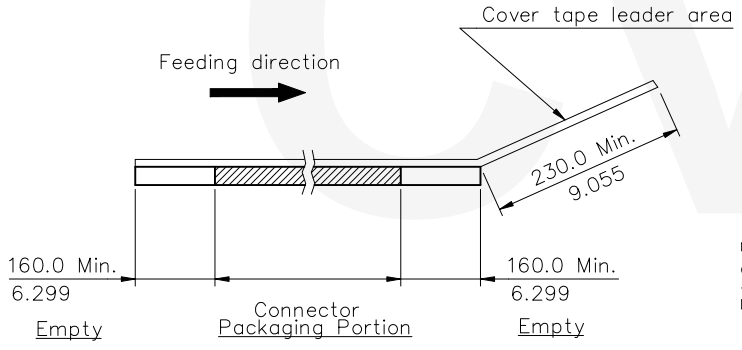


NOTE :

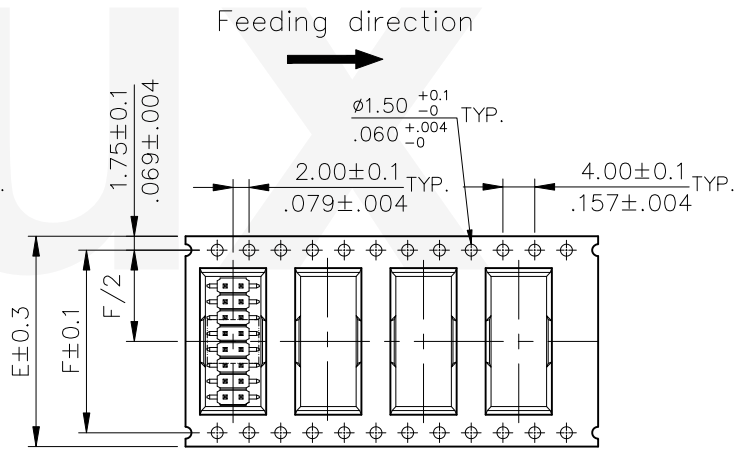
- \* Reel Material : Corrugated Paper
- \* Carrier Material : Clear, Conductive Polystyrene Alloy
- \* Cover Tape Material : Polyester
- \* Cover Tape Peel Strength : 0.1N – 1.3N
- \* Carrier camber is within 1mm in 100mm
- \* All dimensions meet EIA-481-C requirements.

5

Circuits	Dimension				
	E	F	W1	W2	W3
4-6	16.0(.630)	-	16.5(.650)	22.5(.886)	16.5(.650)
8-16	24.0(.945)	-	24.5(.965)	30.5(1.200)	24.5(.965)
18-20	32.0(1.260)	28.40(1.118)	32.5(1.280)	38.5(1.516)	32.5(1.280)
22-34	44.0(1.732)	40.40(1.596)	44.5(1.752)	50.5(1.988)	44.5(1.752)
36-44	56.0(2.205)	52.40(2.063)	32.5(1.280)	38.5(1.516)	32.5(1.280)



WIDTH : 16 & 24 mm Carrier



WIDTH : 32.44 & 56 mm Carrier

RoHS Compliant

REV	SYM	NAME	DATE	REVISIONS	APPROVED BY:	DATE	UNIT: mm / inch	TITLE: 2.00mm(.079") DUAL ROW SURFACE BOARD MOUNT PIN HEADER	MATERIAL:	FINISH:	DRAWING NO. CH7117SH	PART NO. CH71***M1**-0*	SHEET 2 OF 2
5	Yushu	7/09/19'	ECRB119043/ECNT119173										
4	Sun	4/12/19'	ECNT119093		DRAWN BY: Yushu	7/09-19'	TOLERANCE UNLESS OTHERWISE SPECIFIED						
3	Aaron	10/21-16'	ECNT116250/ECRB116072		ENGINEER: Sun	7/10-19'	.X ±	X' ± 1'					
2	Sun	1/19/06'	ECN06019		CHECKED BY: Eisley	7/12-19'	.XX ±	.X' ±					
					APPROVED BY: Eisley	7/12-19'	.XXX ±	.XX' ±					

CIVILUX CORP  
 2019.07.18  
 ISSUED

瀚荃股份有限公司  
 CviLux Corporation