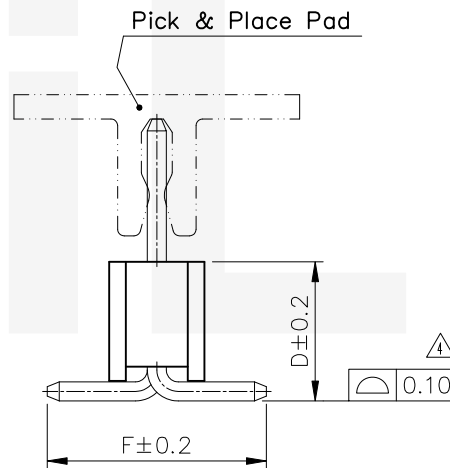
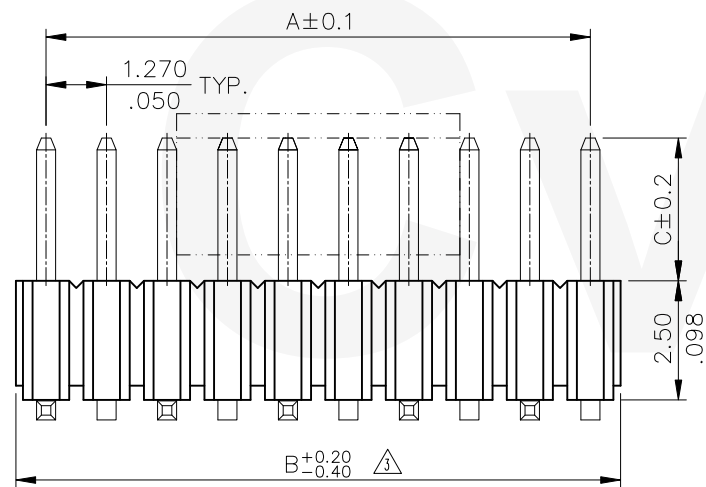


Recommended P.C. Board Layout



DIM. A = 1.27 X No. of Spaces

DIM. B = DIM. A + 1.27

\* Available in 4 through 50 Circuits

Notes:

\* Material:

Insulator: Nylon 6T With 30% GF.  
UL 94V-0 Color Black

Square Pin: Brass

Pick & Place Pad:

Nylon 6T UL 94V-0, Color Black

△ \* Pin overall Length 20.0mm Max.

Ordering Code:

CH02 \*\* \* M 1 \*\* - 0 \*  
① ② ③ ④ ⑤ ⑥ ⑦ ⑧

① Series No.

② No. of Contact: 04 to 50

③ Plating code:

2=Gold Flash plated over

1.27 μm(50 μ") Nickel

3=0.38 μm(15 μ") Gold plated over 1.27 μm(50 μ") Nickel

4=0.76 μm(30 μ") Gold plated over 1.27 μm(50 μ") Nickel

④ Tail & Mounting Style:

M=Straight SMT Type

⑤ Insulator Material & Color:

1=Nylon 6T, Color Black

⑥ Option Code:

See Table PDF. File No. CH0202T

⑦ Pin Size:

0=Original design

⑧ 0=Without Pick & Place Pad


(Tube packaged)

P=With Pick & Place Pad

(Tape & Reel packing)

Lead Free Process

RoHS Compliant

△4	Sun	10/17-18'	ECRT118058/ ECNT118234		DATE	UNIT: mm / inch	TITLE: 1.27mm(.050") SINGLE ROW SURFACE BOARD MOUNT PIN HEADER	 瀚荃股份有限公司 CviLux Corporation
△3	Ken	4/10-17'	ECNT117071/ECRB117010	DRAWN BY: Sun	10/17-18'	TOLERANCE UNLESS OTHERWISE SPECIFIED	MATERIAL:	
△2	Sun	10/6-08'	ECN08477/ECR08117-1	ENGINEER: Sun	10/17-18'	.X ± 0.25/.010 X' ± 1'	FINISH:	
△1	Sun	5/07/04'	ECN04183	CHECKED BY: Eisley	10/19-18'	.XX ± 0.15/.006 X' ±	DRAWING NO. CH0202SF PART NO. CH02***M1**-0*	
SYM	NAME	DATE	REVISIONS	APPROVED BY: Eisley	10/19-18'	.XXX ± 0.08/.003 XX' ±	SCALE 6 / 1 SHEET 1 OF 1	

CVILUX CORP  
 2018.10.25  
 ISSUED