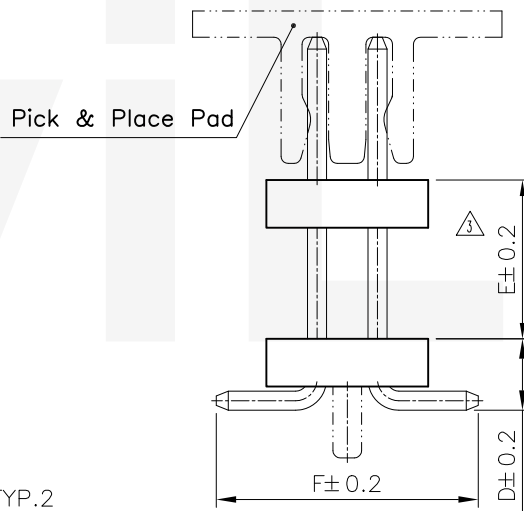
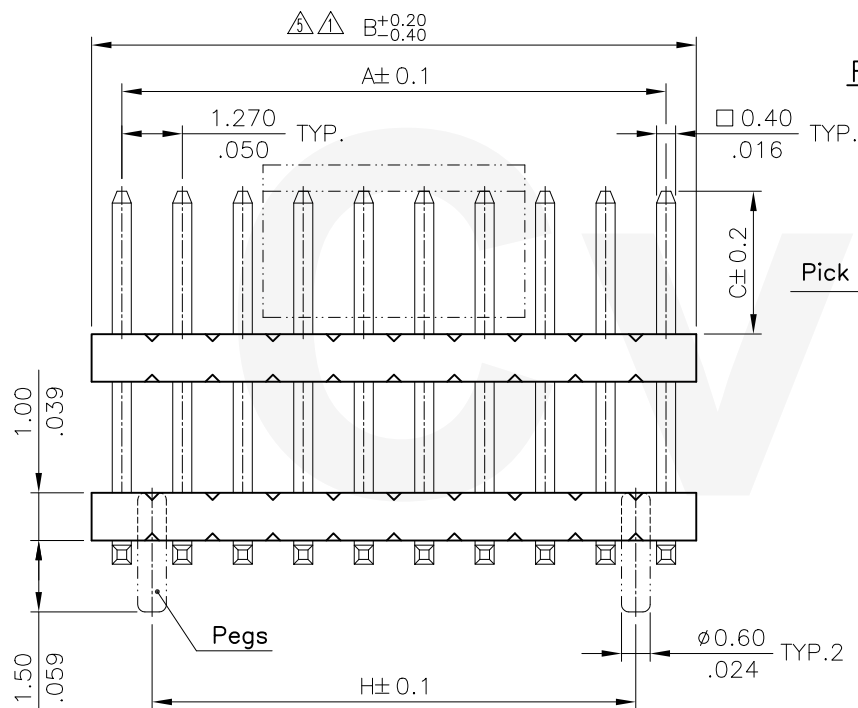


Recommended P.C. Board Layout



DIM. A = 1.27 X No. of Spaces
 DIM. B = DIM. A + 1.27
 DIM. H = DIM. A - 1.27

* Available in 6 through 100 Circuits

Notes:

* Material:

- △ Insulator: High temperature plastic
UL 94V-0 Color Black
- Square Pin: Brass
- Pegs: Brass, Tin plated
- Pick & Place Pad:
Nylon 6T UL 94V-0

Ordering Code:

CH54 ** * M 1 ** - * *
 ① ② ③ ④ ⑤ ⑥ ⑦ ⑧

- ① Series No.
- ② No. of Contact: 06 to 100(X1=100)
- ③ Plating code:
2=Gold Flash plated over
1.27 μ m(50 μ) Nickel
3=0.38 μ m(15 μ) Gold plated
over 1.27 μ m(50 μ) Nickel
4=0.76 μ m(30 μ) Gold plated
over 1.27 μ m(50 μ) Nickel
- ④ Tail & Mounting Style:
M=Straight SMT Type
- ⑤ Insulator Color:
1= Color Black
- ⑥ Option Code:
See Table PDF. File No. CH5401T
- ⑦ 0=Without Peg, P= With Peg
- △ ⑧ 0=Without Pick & Place Pad
(Tube packaged)
P=With Pick & Place Pad
(Tape & Reel packing)
A=With Pick & Place Pad
(Tube packaged)

Halogen-Free

Lead Free Process

RoHS Compliant

5	Ken	4/10-17	ECNT117071/ECRB117010		DATE	UNIT: mm / inch	TITLE: 1.27mm(.050") DUAL ROW DUAL BODY BOARD MOUNT PIN HEADER
4	Sun	2/01-16	ECNT116019/ECRB116008	DRAWN BY: Ken	4/28-17	TOLERANCE UNLESS OTHERWISE SPECIFIED	MATERIAL: FINISH:
3	Sandy	8/14-12	ECN12189-0	ENGINEER: Sun	5/02-17	.X ± 0.25/.010 X: ± 1"	
2	Sun	05/04/05	ECN05156	CHECKED BY: Eisley	5/03-17	.XX ± 0.15/.006 .X: ±	
SYM	NAME	DATE	REVISIONS	APPROVED BY: Eisley	5/03-17	.XXX ± 0.08/.003 .XX: ±	

CVILUX CORP
 2017.05.05
 ISSUED



瀚荃股份有限公司
CviLux Corporation

DRAWING NO.	CH5401SF	PART NO.	CH54***M1**-***
SCALE	6 / 1	SHEET	1 OF 1