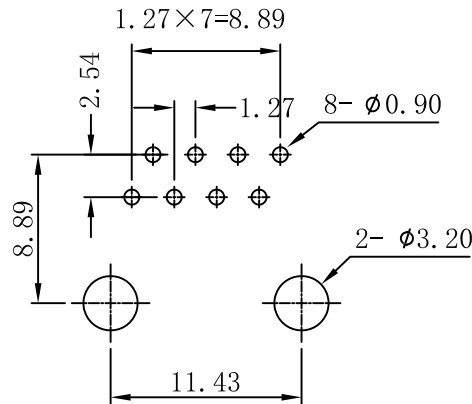
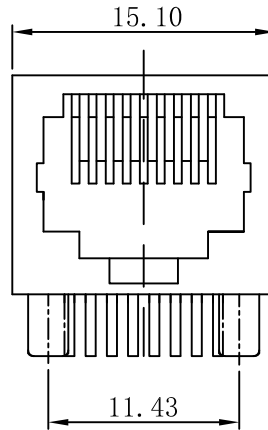
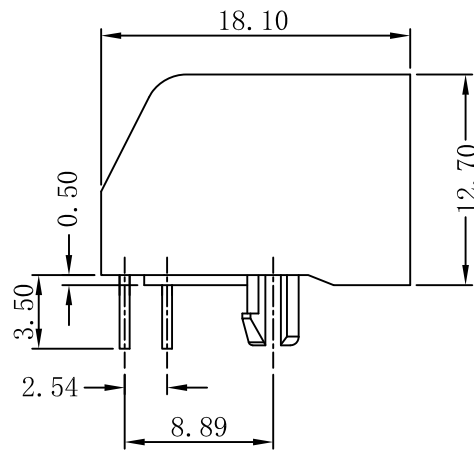
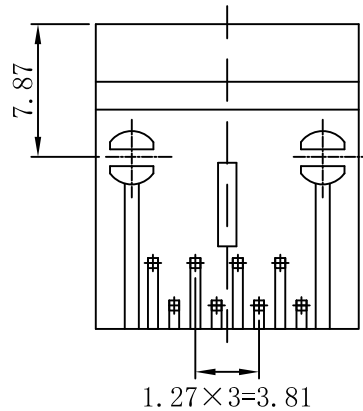


Mechanical:

REV.	ECN NO.	DESCRIPTION	DATE	APPD
A	REL		2011/10/21	



PCB LAYOUT (TOP VIEW)



- MATERIAL:**
 INSULATOR BODY : PBT UL 94V-0, BLACK COLOUR
 CONTACT : PHOSPHOR BRONZE, SELECTIVE GOLD PLATED
 SHIELDED : BRASS, TIN PLATED
- ELECTRICAL DATA:**
 VOLTAGE RATING : 150VAC max
 CURRENT RATING : 1A max
 CONTACT RESISTANCE : 30M OHMS max
 DIELECTRIC WITHSTANDING VOLTAGE : 1000 Vrms
 INSULATION RESISTANCE : 500M OHMS
- MECHANICAL DATA:**
 MECHANICAL LIFE : 50 CYCLES min
- ENVIRONMENTAL DATA:**
 OPERATING TEMP RANGE : -40°C TO +70°C



X:X	±0.30	APPD:	LINK-PP INT'L TECHNOLOGY CO., LIMITED
X:XX	±0.25	CHKD:	
X:XXX	±0.05	DR: TOM	TITLE: RJ45 1×1 CONNECTOR
ANGLES	±1°	UNIT: mm	PART NO.: LPJE110NNL
	SCALE: 2/1	SHEET: 1/1	REV: A DWG NO: LP11102108