

Material:

* Insulation:

Glass filled polyester UL 94V-0

* Contact: Brass

Ordering Code:

CA21 ** S A 1 *0
 ① ② ③ ④ ⑤ ⑥

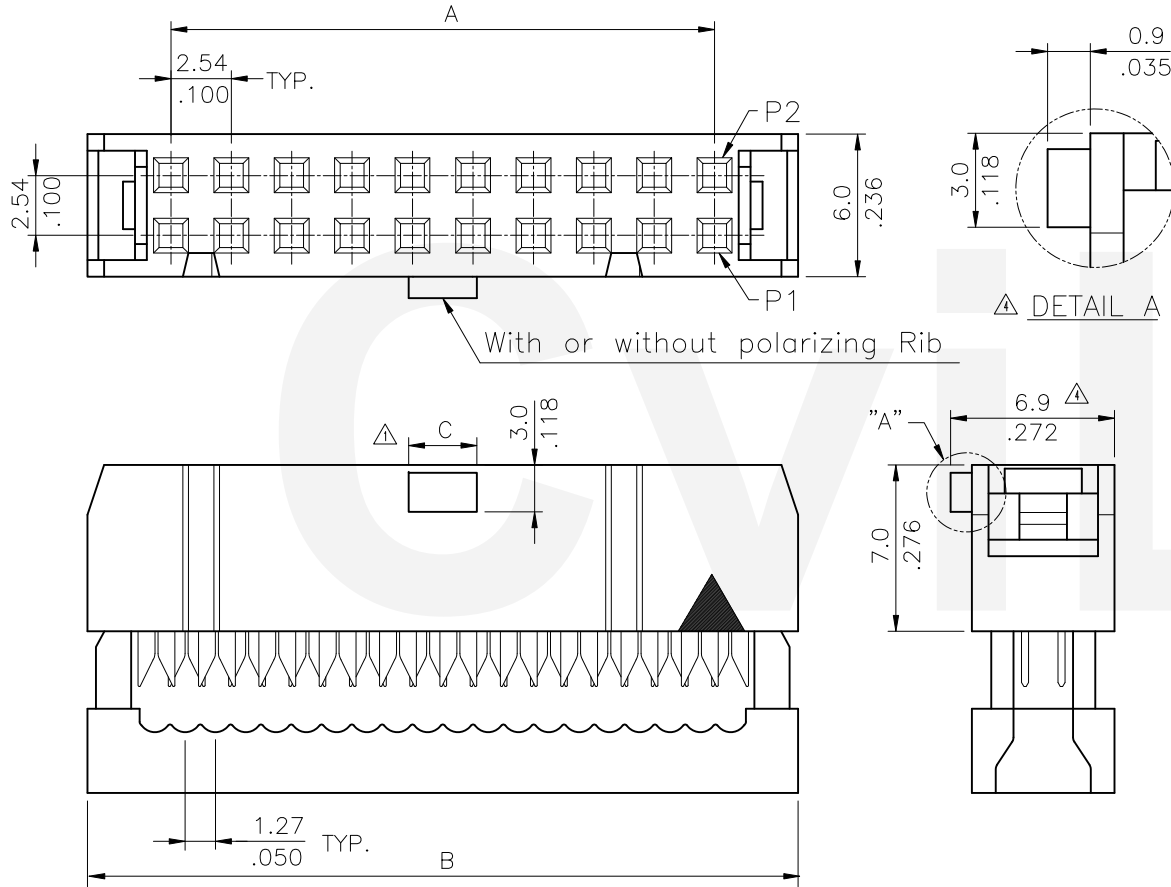
- ① Series No.
- ② No. of Circuits
- ③ Contact type: S= Socket

④ Plating option:

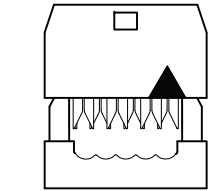
- A= Selective Gold flash plated over 1.27μm(50μ") Nickel
- B= Selective 0.38μm(15μ") Gold plated over 1.27μm(50μ")Nickel
- C= Selective 0.76μm(30μ") Gold plated over 1.27μm(50μ") Nickel

⑤ Color: 1= Black

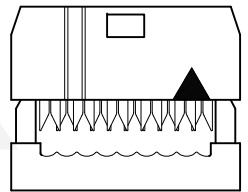
- ⑥ Other Options:
 00= Standard
 A0= Without Polarizing Rib



Circuits	Dimension		
	A	B	C
6	5.08(.200)	12.32(.472)	1.85(.072)
8	7.62(.300)	14.86(.585)	1.85(.072)
10	10.16(.400)	17.40(.685)	3.50(.138)
12	12.70(.500)	19.94(.785)	3.50(.138)
14	15.24(.600)	22.48(.885)	3.50(.138)
16	17.78(.700)	25.02(.985)	3.50(.138)
20	22.86(.900)	30.10(1.185)	3.50(.138)
24	27.94(1.100)	35.18(1.381)	3.50(.138)
26	30.48(1.200)	37.72(1.485)	3.50(.138)
30	35.56(1.400)	42.80(1.685)	3.50(.138)
34	40.64(1.600)	47.88(1.885)	3.50(.138)
36	43.18(1.700)	50.42(1.985)	3.50(.138)
40	48.26(1.900)	55.50(2.185)	3.50(.138)
44	53.34(2.100)	60.58(2.385)	3.50(.138)
50	60.96(2.400)	68.20(2.685)	3.50(.138)



△ 6,8 Citcuits



10,12 Citcuits

RoHS Compliant

△8	Yushu	12/12-19'	ECRT119066/ECNT120007		DATE	UNIT: mm / inch	TITLE: 2.54MM(.100")	瀚荃股份有限公司 CviLux Corporation	
△7	Ken	2/12-19'	ECNT119043		DRAWN BY: Yushu	1/9-20'	TOLERANCE UNLESS OTHERWISE SPECIFIED		RIBBON CABLE I.D.C. CONNECTOR
△6	Ken	1/9-17'	ECRB116097/ECNT117076		ENGINEER: Sun	1/13-20'	.X ± 0.30/.012 X' ± 1"		MATERIAL:
△5	Kevin	4/8-09'	ECN09188		CHECKED BY: Eislely	1/20-20'	.XX ± 0.20/.008 X' ±		FINISH:
SYM	NAME	DATE	REVISIONS		APPROVED BY: Eislely	1/20-20'	.XXX ± 0.10/.004 .XX' ±		
								DRAWING NO. CA2101SM	PART NO. CA21**S*1*0
								SCALE 3 / 1	SHEET 1 OF 1