

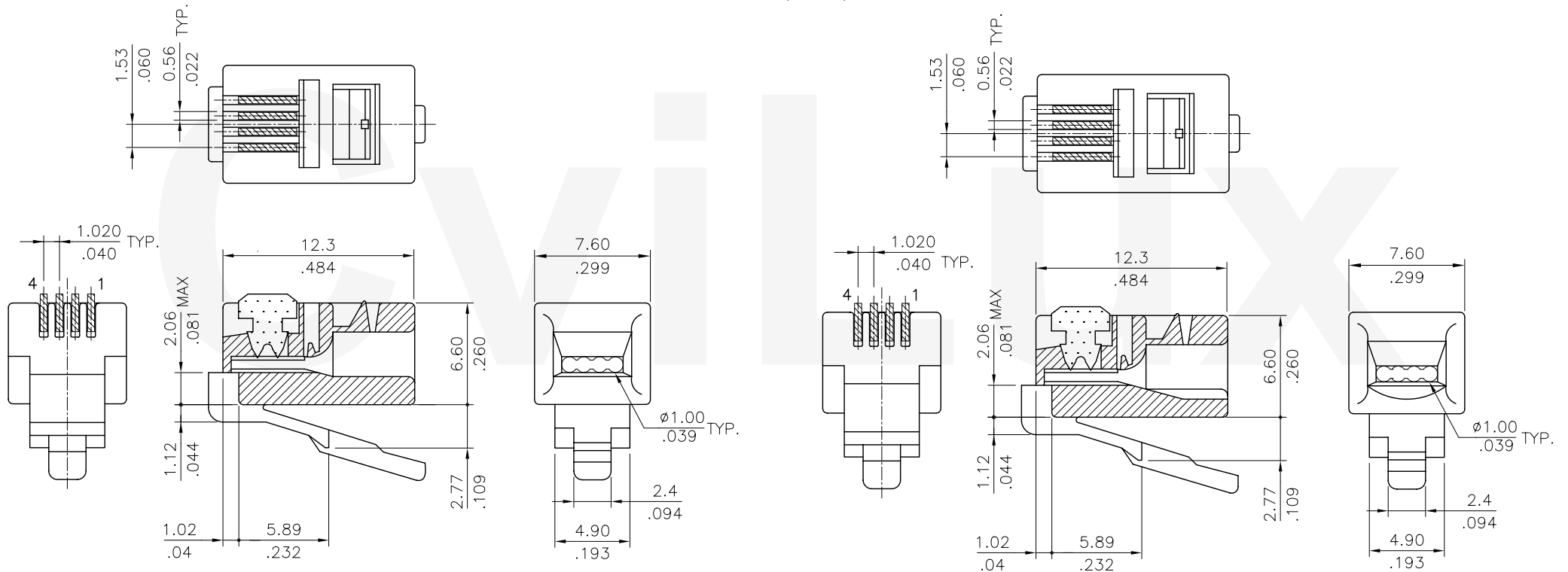
# Ordering Code:

CJP1 44 2 1 0 F0  
 ① ② ③ ④ ⑤ ⑥

## Materials:

- \* Insulator: Polycarbonate UL 94V-2
- \* Contact: Phosphor Bronze

- ① Series No.
- ② Contacts: 44= 4P4C ; 42= 4P2C
- ③ Plating option:  
 2= Gold flash plated over Nickel  
 3= 0.38um(15u") Gold plated over 1.27um(50u") Nickel
- ④ Latch style: 1= Standard
- ⑤ Insulator Color: 0= Nature(Clear)
- ⑥ Cable type: F= Flat-oval Cable  
 R= Round Cable




P/N: CJP14\*\*10F0

P/N: CJP14\*\*10R0

RoHS Compliant



④			<b>CVILUX CORP.</b> <b>2002.11.11</b> <b>ISSUED</b>		DATE	UNIT: mm / inch	TITLE: STANDARD 4 POSITION MODULAR PLUG	 瀚荃股份有限公司 CviLux Corporation		
③				DRAWN BY: Alphonse	11/7-02'	TOLERANCE UNLESS OTHERWISE SPECIFIED				
②				ENGINEER: Easley	11/8-02'	.X ± 0.25 / .010	X' ± 1"	FINISH:	DRAWING NO. CJP101SC	PART NO. CJP14**10*0
①				CHECKED BY: David	11/11-02'	.XX ± 0.15 / .006	.X' ±		SCALE 3 / 1	SHEET 1 OF 1
SYM	NAME	DATE		APPROVED BY: Alex	11/11-02'	.XXX ± 0.08 / .003	.XX' ±			