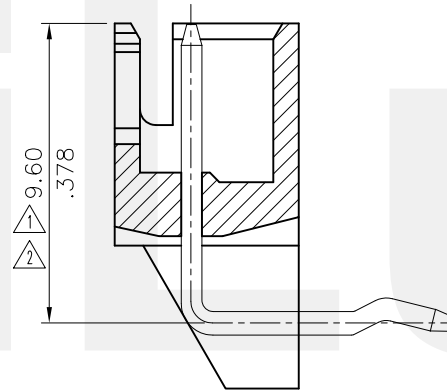
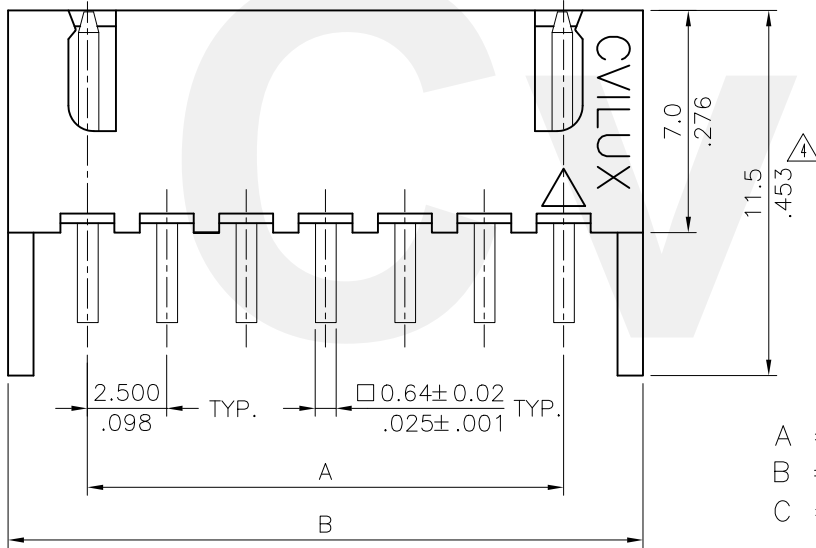


Note: 1. Material:
 * Insulation: Nylon 66 UL 94V-0
 Color Nature
 * Contact: Brass
 ⚠️ 2. For Lead Free Wave Flow Process

Ordering Code:

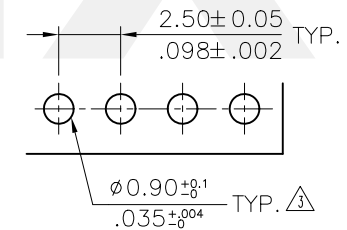
CI22 ** P 1 H K0
 ① ② ③ ④ ⑤ ⑥

- ① Series No.
- ② No. of Circuits
- ③ Contact type: P= Pin header
- ④ Plating option:
 1= 3.05μm(120μ") Min. Tin
 over 0.76μm(30μ") Nickel
- ⑤ Type: H= Right angle
- ⑥ Other Option: K0= With Pin Kinked



A = 2.50 x No. of Spaces
 B = A + 5.0
 C = A + 3.5

* Available in 2 through 20 circuits



Recommended P.C. Board Layout

Halogen-Free Lead Free Process RoHS compliant

⑥	Sun	7/20-17'	ECNT117146/ECRT117041		DATE	UNIT: mm / inch	TITLE: 2.50MM(.098")	瀚荃股份有限公司 CviLux Corporation
⑤	Enya	3/11-13'	ECN13056-0/ECR13007-1	DRAWN BY: Sun	7/21-17'	TOLERANCE UNLESS OTHERWISE SPECIFIED	RIGHT ANGLE PIN HEADERS	
④	Sandy	9/12/05'	ECN05297	ENGINEER: Sun	7/21-17'	.X ± 0.30/.012 X' ± r	MATERIAL:	DRAWING NO. CI2203SO PART NO. CI22**P1HK0
③	SUN	03/05-04	ECN04093/ECR04007-1	CHECKED BY: Eisley	7/28-17'	.XX ± 0.20/.008 .X' ±	FINISH:	
SYM	NAME	DATE	REVISIONS	APPROVED BY: Eisley	7/28-17'	.XXX ± 0.10/.004 .XX' ±	SCALE	4 / 1
							SHEET 1 OF 1	

CVILUX CORP
 2017.08.04
 ISSUED