

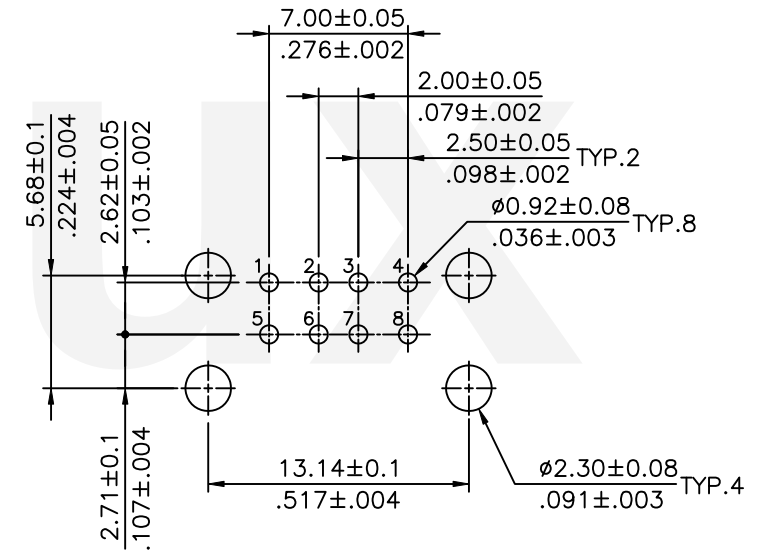
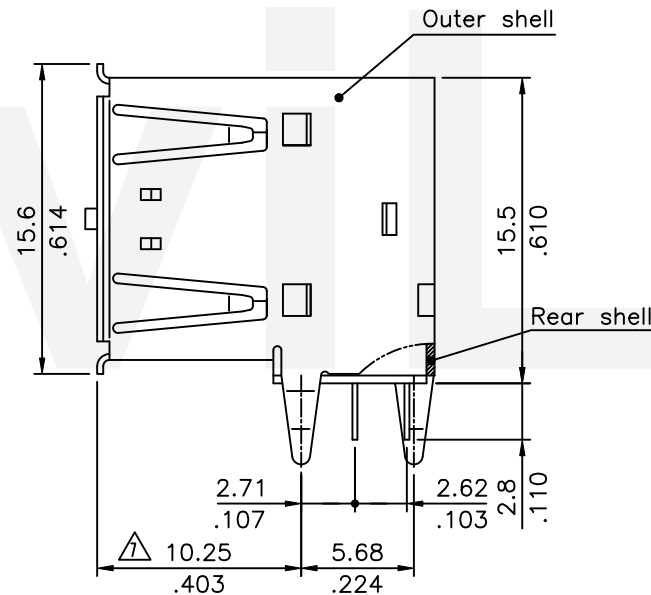
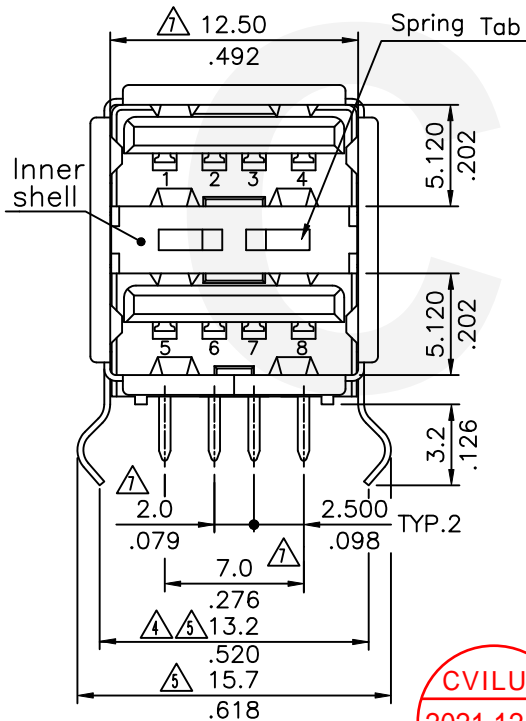
Materials :

Insulator: Glass filled polyester UL 94V-0
 Contacts: Phosphor Bronze
 Outer & Inner Shell: Brass
 Shell Plating: 80μ" Nickel over 50μ" Cu
 Rear Shell: Steel With Nickel plated

Ordering Code:

CU01 S A H 1 D 00
 ① ② ③ ④ ⑤ ⑥ ⑦

- ① Series No.
- ② S= Socket
- ③ Plating option:
 A= Selective Gold flash plated over 1.27μm(50μ") Nickel
 C= Selective 0.76μm(30μ") Gold plated over 1.27μm(50μ") Nickel
- ④ H= Right angle
- ⑤ Insulator Color: 1= Black, 0= White
- ⑥ D= Dual port
- ⑦ Option: 00= With Spring Tab(Standard)




Recommended P.C. Board Layout

Lead Free Process

RoHS Compliant

CVILUX
 2021.12.30
 ISSUED

⑦	Karen	12/16-21'	ECNT121305/ECRT121081	DATE	UNIT: mm / inch	TITLE: USB TYPE A RIGHT ANGLE DUAL PORT BOARD MOUNT SOCKET	 瀚荃股份有限公司 CviLux Corporation
⑥	Sun	3/26-07'	ECN07109	DRAWN BY: Karen	12/16-21'	MATERIAL:	
⑤	Jim	7/27-06'	ECN06258	ENGINEER: Sun	12/20-21'	FINISH:	
④	Jim	7/14-06'	ECR06052-0/ECN06232	CHECKED BY: Eisley	12/27-21'		
SYM	NAME	DATE	REVISIONS	APPROVED BY: Eisley	12/27-21'		DRAWING NO. CU0102SS PART NO. CU01S*H*DOO SCALE 3 / 1 SHEET 1 OF 1