

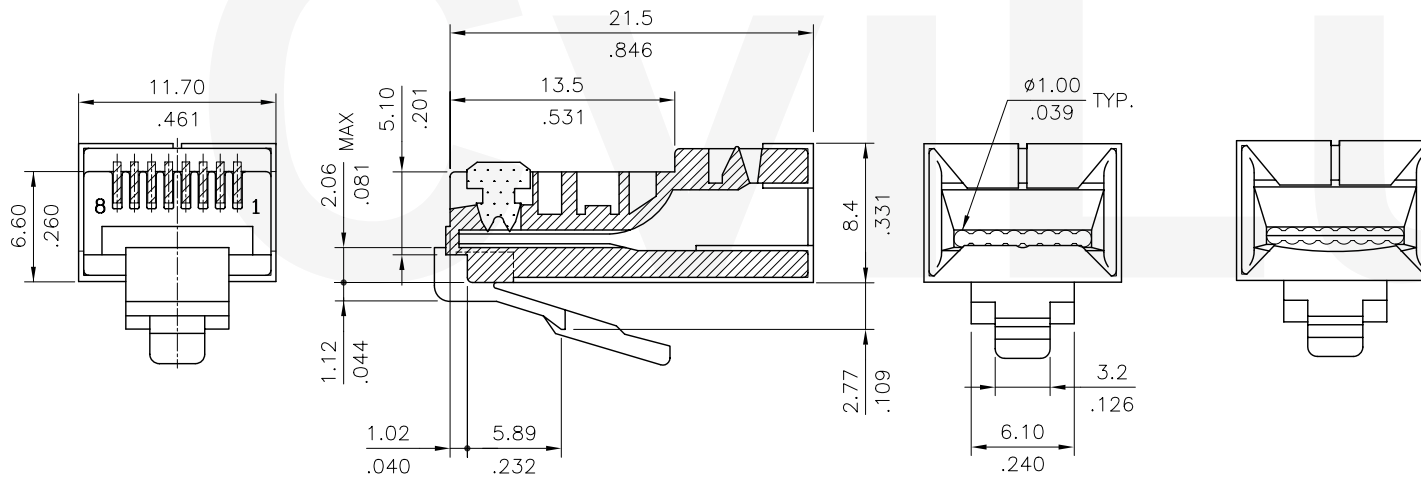
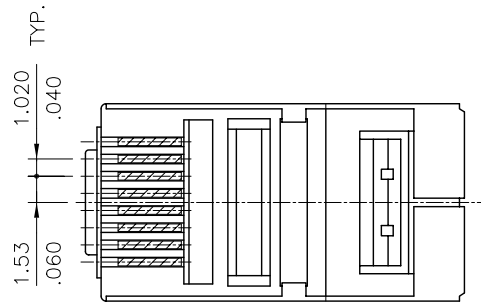
Ordering Code:

CJP2 88 3 1 0 R S
 ① ② ③ ④ ⑤ ⑥ ⑦

- ① Series No.
- ② Contacts: 88= 8P8C
- ③ Plating option:
 2= Gold flash plated over 1.27μm(50μ") Nickel
 3= 0.38μm(15μ") Gold plated over 1.27μm(50μ") Nickel
 4= 0.76μm(30μ") Gold plated over 1.27μm(50μ") Nickel
 5= 1.27μm(50μ") Gold plated over 1.27μm(50μ") Nickel
- ④ Latch style: 1= Standard
- ⑤ Insulator Color: 0= Nature(Clear)
- ⑥ Cable type: F= Flat-oval Cable
 R= Round Cable
- ⑦ Other option: S= With Shield

Materials:


- * Insulator: Polycarbonate UL 94V-2
- * Contact: Phosphor Bronze
- * Shield: Brass, Nickel plated
- △ * Available for stranded and solid wire conductor from AWG #24~#26



Flat-oval Cable
 (P/N: CJP288*10FS)

Round Cable
 (P/N: CJP288*10RS)

RoHS Compliant

△4					DATE	UNIT: mm / inch	TITLE: STANDARD 8 POSITION SHIELDED TYPE MODULAR PLUG	 瀚荃股份有限公司 CviLux Corporation		
△3					DRAWN BY: Sandy	TOLERANCE UNLESS OTHERWISE SPECIFIED	MATERIAL:			
△2					ENGINEER: Eisley	.X ± 0.25/.010 X.* ± 1'	FINISH:	SCALE 2 / 1	SHEET 1 OF 1	
△1	Sandy	4/4-07'	ECN07134/ECR07051-0	CHECKED BY: Eisley	4/11-07'	.XX ± 0.15/.006 .X.* ±				
SYM	NAME	DATE	REVISIONS	APPROVED BY: Alex	4/11-07'	.XXX ± 0.08/.003 .XX.* ±				

CVILUX CORP.
 2007.04.16
 ISSUED