

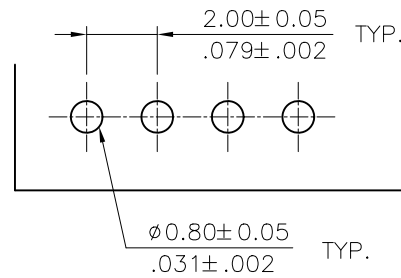
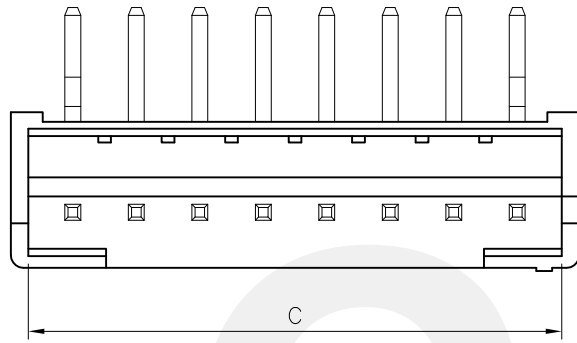
Note:

1. Material:

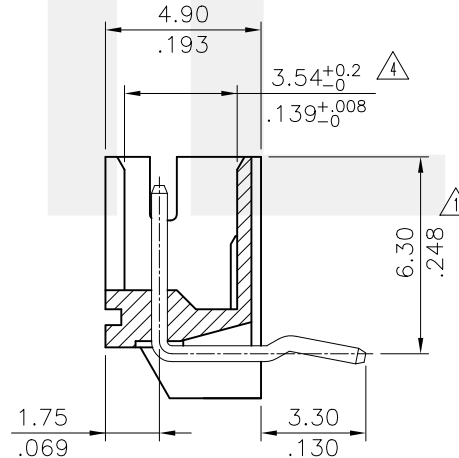
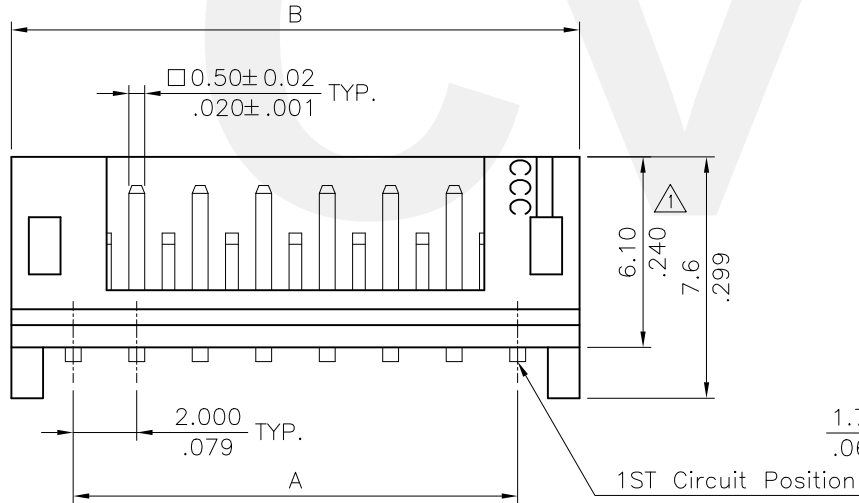
\* Insulation: Nylon 66 UL 94V-0  
Color Nature

\* Contact: Brass

⚠️ 2. For Lead Free Wave Flow Process



Recommended P.C. Board Layout



Ordering Code:

CI01 \*\* P 1 H K0  
① ② ③ ④ ⑤ ⑥

① Series No.

② No. of Circuits:

③ P= Pin header


④ Plating: 1= 3.05µm(120µ") Min. Tin over  
0.76µm(30µ") Nickel

⑤ Type:H= Right angle

⑥ Other option: K0= With Pin Kinked

Circuits	Dimension		
	A	B	C
2	2.00(.079)	6.0(.236)	4.90(.193)
3	4.00(.157)	8.0(.315)	6.90(.272)
4	6.00(.236)	10.0(.394)	8.90(.350)
5	8.00(.315)	12.0(.472)	10.90(.429)
6	10.00(.394)	14.0(.551)	12.90(.508)
7	12.00(.472)	16.0(.630)	14.90(.587)
8	14.00(.551)	18.0(.709)	16.90(.665)
9	16.00(.630)	20.0(.787)	18.90(.774)
10	18.00(.709)	22.0(.866)	20.90(.823)
11	20.00(.787)	24.0(.945)	22.90(.902)
12	22.00(.866)	26.0(1.024)	24.90(.980)
13	24.00(.945)	28.0(1.102)	26.90(1.059)
14	26.00(1.024)	30.0(1.181)	28.90(1.138)
15	28.00(1.102)	32.0(1.260)	30.90(1.217)
16	30.00(1.181)	34.0(1.338)	32.90(1.295)

Halogen-Free    Lead Free Process    RoHS compliant

⚠️	Sun	7/20-17'	ECNT117146/ECRT117041		DATE	UNIT: mm / inch	TITLE: 2.00MM(.079") RIGHT ANGLE HEADER	 瀚荃股份有限公司 CviLux Corporation
⚠️	Enya	3/6-13'	ECN13056-0/ECR13007-1	DRAWN BY: Sun	7/21-17'	TOLERANCE UNLESS OTHERWISE SPECIFIED	MATERIAL:	
⚠️	Sandy	8/05/04'	ECN04300	ENGINEER: Sun	7/21-17'	.X ± 0.30/.012    X' ± 1"	FINISH:	DRAWING NO. CI0103SJ    PART NO. CI01**P1HK0
⚠️	Casey	5/20/04'	ECN04202	CHECKED BY: Eisley	7/28-17'	.XX ± 0.20/.008    .X ±		SCALE 4 / 1    SHEET 1 OF 1
SYM	NAME	DATE	REVISIONS	APPROVED BY: Eisley	7/28-17'	.XXX ± 0.10/.004    .XX ±		

**CVILUX CORP**  
**2017.08.04**  
**ISSUED**