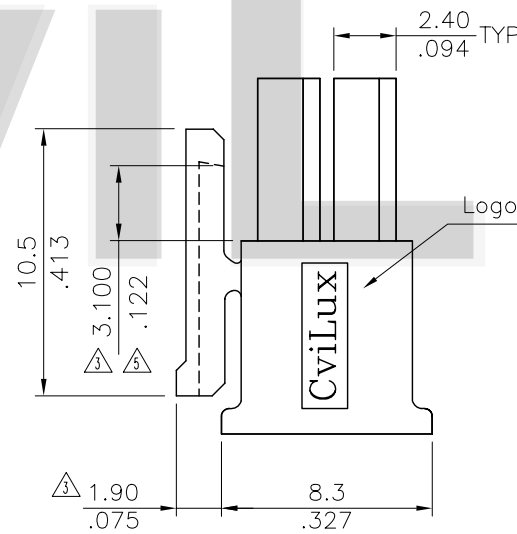
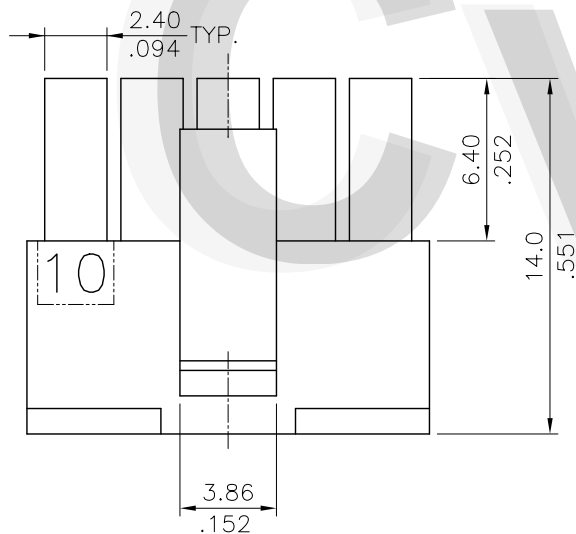


Material : PBT. UL 94V-0

Ordering Code:

CP35 ** S 001 0
 ① ② ③ ④ ⑤

- ① Series No.
- ② Connector: 02 to 24
- ③ Contact type: S = Receptacle
- ④ Color: 001 = Color Black
- ⑤ Option: 0 = Standard



Circuits	Dimension	
	A	B
2	—	3.9(.154)
4	3.00(.118)	6.9(.272)
6	6.00(.236)	9.9(.390)
8	9.00(.354)	12.9(.508)
10	12.00(.472)	15.9(.626)
12	15.00(.591)	18.9(.744)
14	18.00(.709)	21.9(.862)
16	21.00(.827)	24.9(.980)
18	24.00(.945)	27.9(1.098)
20	27.00(1.063)	30.9(1.217)
22	30.00(1.181)	33.9(1.335)
24	33.00(1.299)	36.9(1.453)

RoHS Compliant

⑤	JASON	6/6/05'	ECN05204		DATE	UNIT: mm / inch	TITLE: 3.00mm PITCH POWER CONNECTOR FEMALE HOUSING	瀚荃股份有限公司 CviLux Corporation		
④	SUN	1/26/05'	ECN05029		DRAWN BY: Jason	06/06-05'			TOLERANCE UNLESS OTHERWISE SPECIFIED	MATERIAL:
③	SUN	9/29/04'	ECN04344		ENGINEER: Eisley	06/07-05'	.X ±0.30/.012 X' ± 1'		FINISH:	
②	SUN	5/14/04'	ECN04198		CHECKED BY: David	06/07-05'	.XX ±0.20/.008 .X' ±			
SYM	NAME	DATE	REVISIONS		APPROVED BY: Alex	06/07-05'	.XXX ±0.10/.004 .XX' ±			
DRAWING NO.		CP3501SH	PART NO.		CP35**S0010		SCALE	3 / 1	SHEET	1 OF 1