

Ordering Code

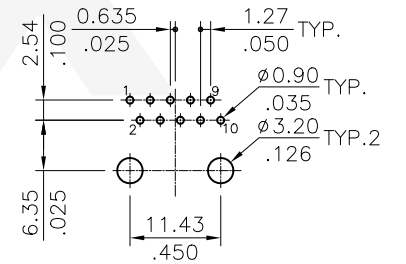
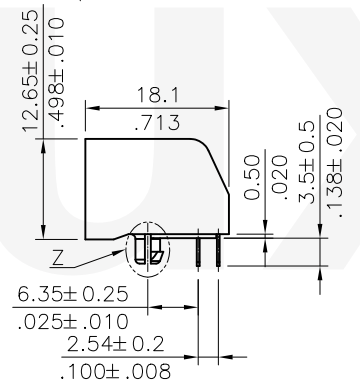
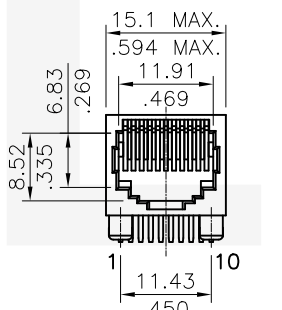
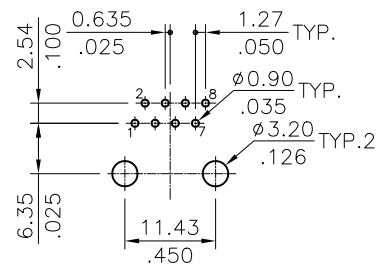
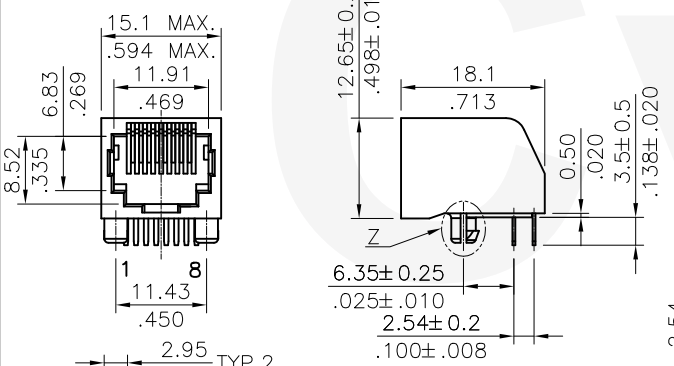
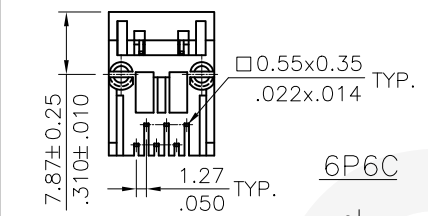
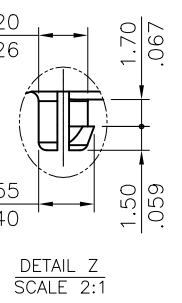
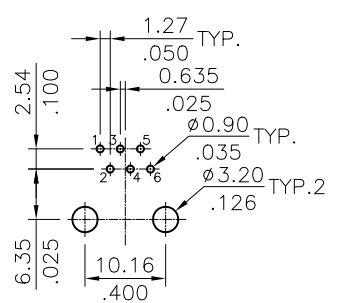
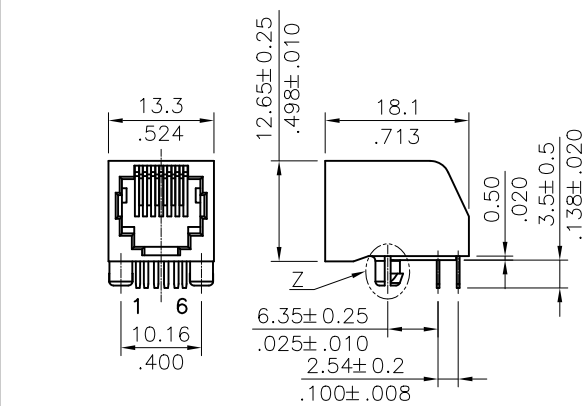
CJ31 ** * 1 1 00
 ① ② ③ ④ ⑤ ⑥

Materials :

Insulator : Glass filled Polyester UL 94V-0

Contact : Phosphor Bronze

- ① Series No.
- ② Contacts: 64=6P4C, 66=6P6C, 88=8P8C, AA=8P10C
- ③ Plating option:
 A= Selective Gold flash plated on contact & solder tail, With entire contact underplated over Nickel
 B= Selective 0.38μm(15μ") Gold plated on contact and Gold flash plated solder tail, With entire contact underplated over Nickel
 C= Selective 0.76μm(30μ") Gold plated on contact and Gold flash plated solder tail, With entire contact underplated over Nickel
- ④ 1= Single port
- ⑤ Insulator Color: 1= Black
- ⑥ Other options: 00= Standard



6P6C Recommended PC Board Layout TOLERANCE: ±0.05 (TOP VIEW)

8P8C Recommended PC Board Layout TOLERANCE: ±0.05 (TOP VIEW)

8P10C Recommended PC Board Layout TOLERANCE: ±0.05 (TOP VIEW)

Lead Free Process RoHS Compliant

④						DATE	UNIT: mm / inch	TITLE: BOARD MOUNT LOW PROFILE SIDE ENTRY TELEPHONE JACK	
③	Karen	7/28-17'	ECNT117025/ECRT115099		DRAWN BY:	Karen	7/28-17'	MATERIAL:	
②	Karen	3/02-09'	ECN09068/ECR09007-0		ENGINEER:	Sun	7/31-17'		TOLERANCE UNLESS OTHERWISE SPECIFIED
①	SUN	5/21/04'	ECN04205/ECR04047-0		CHECKED BY:	Eisley	8/01-17'		
SYM	NAME	DATE	REVISIONS		APPROVED BY:	Eisley	8/01-17'		.XX ± 0.13 / .005 X' ±
							.XXX ± 0.05 / .002 XX ±	FINISH:	

瀚荃股份有限公司 CviLux Corporation	
DRAWING NO.	CJ3101SH
PART NO.	CJ31***1*00
SCALE	1 / 1
SHEET	1 OF 1