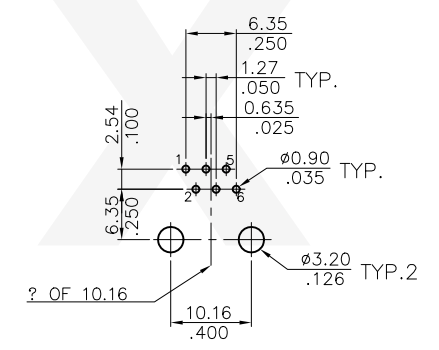
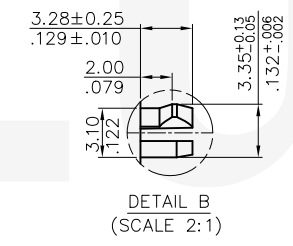
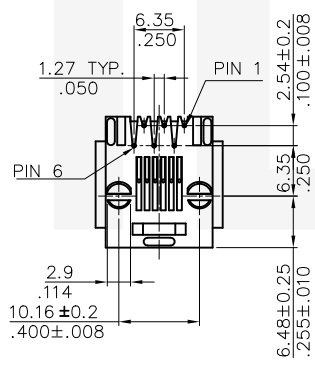
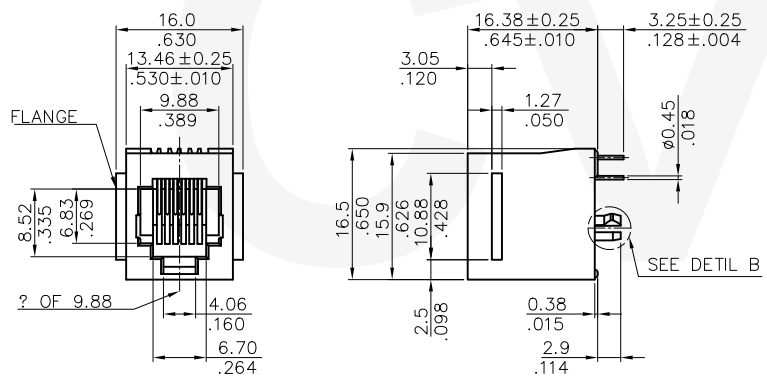


Recommended PC Board Layout
TOLERANCE: ±0.05 (TOP VIEW)

4 POSITION



Recommended PC Board Layout
TOLERANCE: ±0.05 (TOP VIEW)

6 POSITION

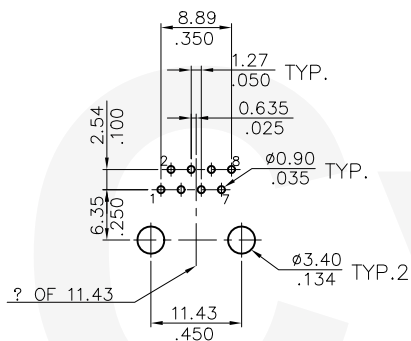
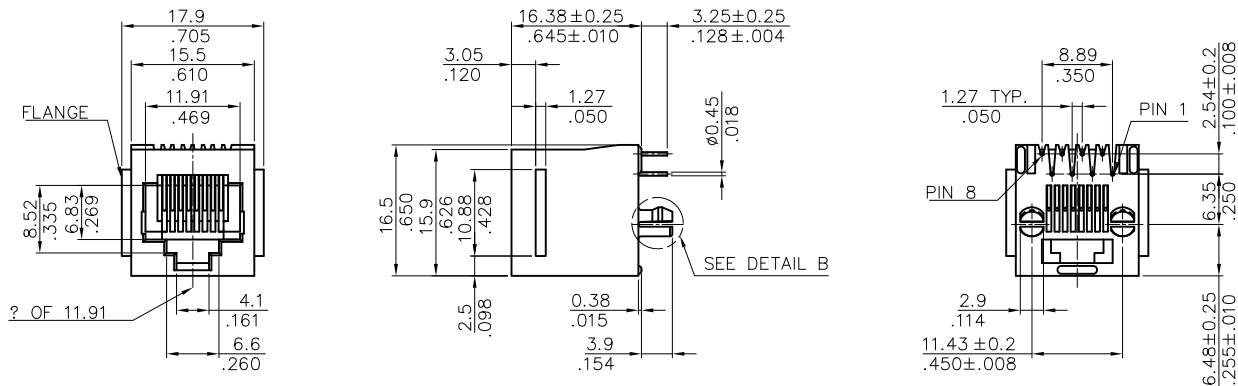
CIVILUX CORP
 2015.08.20
 ISSUED

Tin-Lead Process
RoHS compliant

△4	Karen	7/09-15'	ECNT115132/ECRT115048	DATE	UNIT: mm / inch	TITLE: BOARD MOUNT TOP ENTRY TELEPHONE JACK
△3	Sun	5/15-08'	ECR08038-0/ECN08224	DRAWN BY: Karen	TOLERANCE UNLESS OTHERWISE SPECIFIED	
△2	Sandy	12/7/06'	ECN06413/ECR06063-1	ENGINEER: Sun	.X ± 0.25/010 X' ± 1'	
△1	Eisley	4/21/04"	ECN04163	CHECKED BY: Eisley	.XX ± 0.13/006 .X' ±	
SYM	NAME	DATE	REVISIONS	APPROVED BY: Eisley	8/14-15'	.XXX ± 0.05/006 .XX' ±

瀚荃股份有限公司
CviLux Corporation

DRAWING NO.	CJ0701SH	PART NO.	CJ07***1100
SCALE	1 / 1	SHEET	1 OF 2



Recommended PC Board Layout
TOLERANCE: ±0.05 (TOP VIEW)

8 POSITION

DETAIL B
 (SCALE 2:1)

Notes :

- * Insulator : Glass filled Polyester UL 94V-0
- * Contact : Phosphor Bronze
- * For Tin-Lead Wave Flow Process

Ordering Code:

CJ07 88 3 1 1 00
 ① ② ③ ④ ⑤ ⑥

- ① Series No.
- ② Contacts:
 44= 4P4C ; 42= 4P2C
 66= 6P6C ; 64= 6P4C ; 62= 6P2C
 88= 8P8C
- ③ Plating option:
 2= Gold flash plated over
 1.27μm(50μ") Nickel
 3= 0.38μm(15μ") Gold plated over
 1.27μm(50μ") Nickel
 4= 0.76μm(30μ") Gold plated over
 1.27μm(50μ") Nickel
- ④ Ports: 1= 1 port
- ⑤ Insulator Color: 1= Black
- ⑥ Other options:
 00= Standard



ISSUED

Tin-Lead Process **RoHS Compliant**

SYM	NAME	DATE	REVISIONS	APPROVED BY:	DATE	UNIT: mm / inch	TITLE: BOARD MOUNT TOP ENTRY TELEPHONE JACK
4	Karen	7/09-15'	ECNT115132/ECRT115048				
3	Sun	5/15-08'	ECR08038-0/ECN08224	DRAWN BY: Karen	8/07-15'	TOLERANCE UNLESS OTHERWISE SPECIFIED	
2	Sandy	12/7/06'	ECN06413/ECR06063-1	ENGINEER: Sun	8/10-15'	.X ± 0.25/.010 X' ± 1"	MATERIAL:
1	Eisley	4/21/04"	ECN04163	CHECKED BY: Eisley	8/14-15'	.XX ± 0.13/.006 .X' ±	FINISH:
				APPROVED BY: Eisley	8/14-15'	.XXX ± 0.05/.006 .XX' ±	



DRAWING NO.	CJ0701SH	PART NO.	CJ07***1100
SCALE	1 / 1	SHEET	2 OF 2