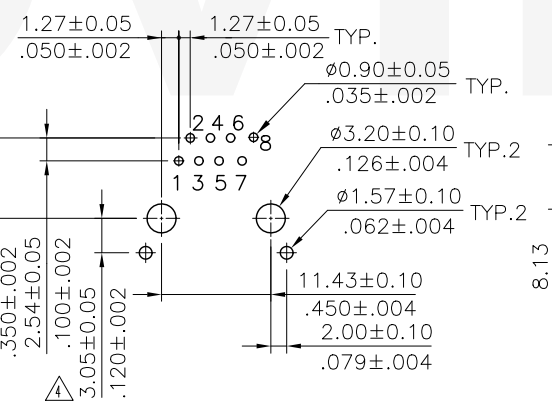
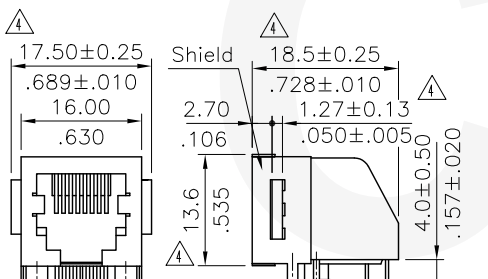
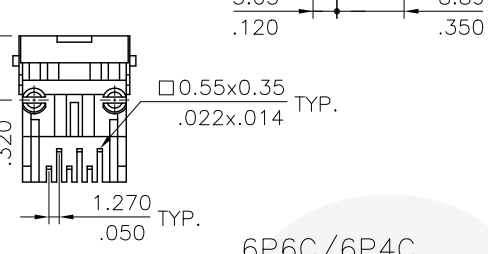
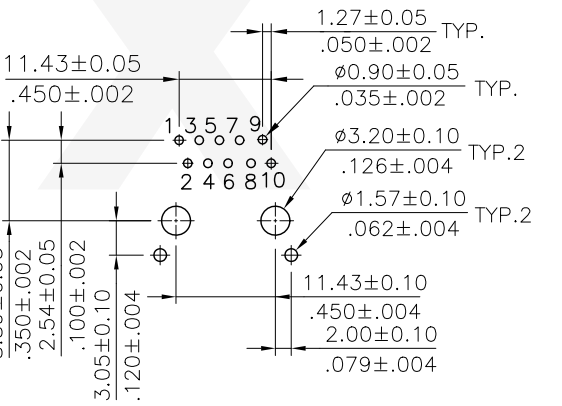
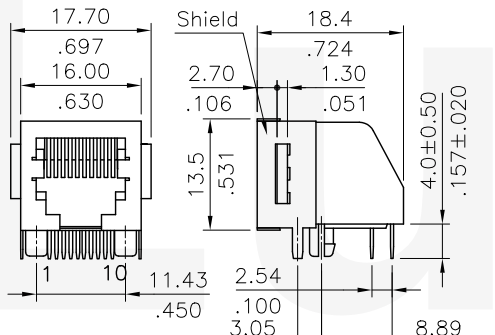
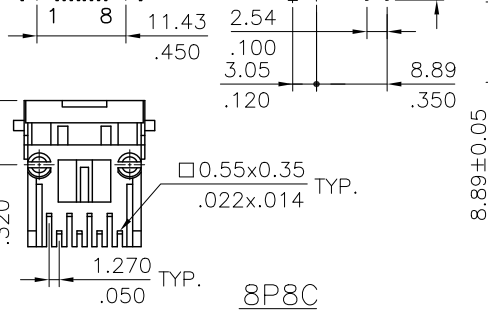


6P6C/6P4C Recommended PC Board Layout



8P8C Recommended PC Board Layout



8P10C Recommended PC Board Layout

Materials :  
 Insulator : Glass filled Polyester UL 94V-0  
 Contact : Phosphor Bronze  
 Shield : Pre-tinned Brass

Ordering Code

CJ59 \*\* \* 1 1 00  
 ① ② ③ ④ ⑤ ⑥

- ① Series No.
- ② Contacts: 64=6P4C, 66=6P6C, 88=8P8C, AA=8P10C
- ③ Plating option:  
 A= Selective Gold flash plated over Nickel  
 B= Selective 0.38µm(15µ") Gold plated over Nickel  
 C= Selective 0.76µm(30µ") Gold plated over Nickel
- ④ 1= Single port
- ⑤ Insulator Color: 1= Black
- ⑥ Other options: 00= Standard

Lead Free Process RoHS compliant

④	Karen	10/04-11'	ECR11069-0/ECN11211		DATE	UNIT: mm / inch	TITLE: BOARD MOUNT LOW PROFILE SIDE ENTRY TELEPHONE JACK	
③	Jim	9/7/06'	ECR06080-0/ECN06316		DRAWN BY: Karen	10/4-11'	MATERIAL:	
②	Sun	9/30/05'	ECR05067-0/ECN05275		ENGINEER: Easley	10/5-11'		TOLERANCE UNLESS OTHERWISE SPECIFIED
①	SUN	5/21/04'	ECR04047-0/ECN04205		CHECKED BY: Easley	10/5-11'		
SYM	NAME	DATE	REVISIONS		APPROVED BY: David	10/5-11'		.XX ± 0.20 / .008 .X" ±
						.XXX ± 0.08 / .003 .XX" ±		

		瀚荃股份有限公司 CviLux Corporation	
DRAWING NO.	CJ5901SF	PART NO.	CJ59***1*00
SCALE	1 / 1	SHEET	1 OF 1