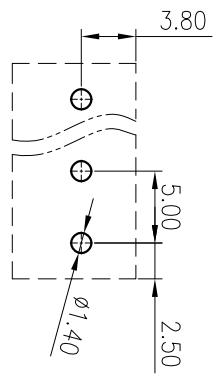
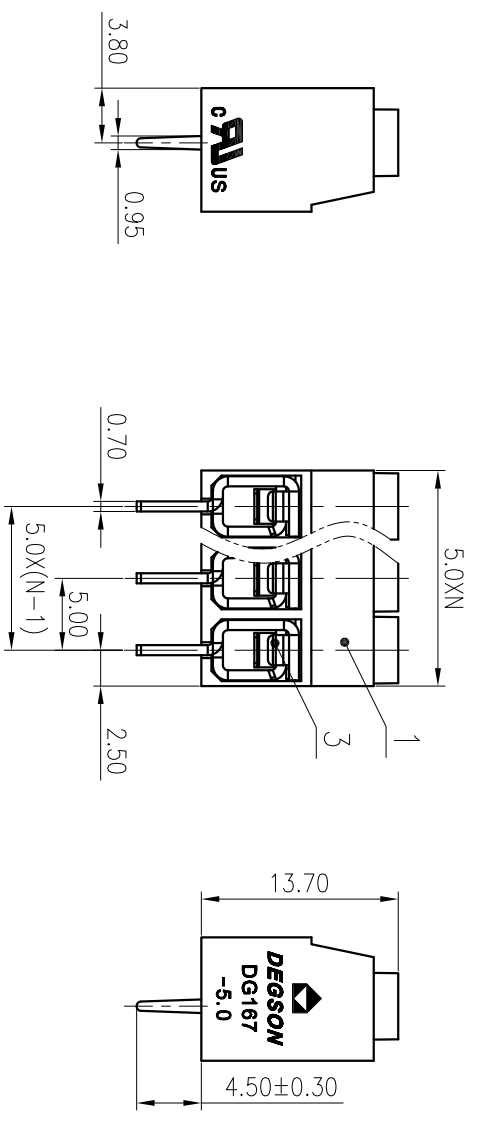
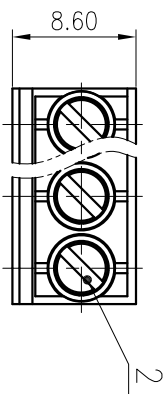


未注公差/General tolerances(mm)										0.1/10			
0	>3	>6	>10	>18	>30	>50	>80	>120	>180	>250	>315	>400	±2°
~	~	~	~	~	~	~	~	~	~	~	~	~	
3	6	10	18	30	50	80	120	180	250	315	400	500	±2°
±0.12	±0.18	±0.22	±0.26	±0.31	±0.37	±0.57	±0.80	±0.93	±1.05	±1.15	±1.50	±2.20	±2.50



PCB LAYOUT

3	Pin	Copper alloy	Sn plated
2	Screw	Steel	M2.5/Zn plated
1	Housing	PA66	UL94V-0
ITEM	NAME OF PART	MATERIAL	NOTES
UL 标准/UL Standard:		B	C
UL 标准/UL Standard:		B	C
额定电压/Rated Voltage(V)	300/15	/	300/10
IEC 标准/IEC Standard:			
IEC 标准/IEC Standard:			
过压类别/Overvoltage Category/污染等级/ Pollution Degree			III/2
额定电压/电流/Rated Voltage(V)/Current(A)			250/22
工频耐压/Withstanding voltage(V/1Min)			AC2000
螺丝扭矩/Torque Tightening(N·m/Lbin)			M2.5: 0.29/2.60
线在范围(硬线和导线)/Wire Range (rigid and flexible)(mm ² /AWG)			0.5~2.5/22~12
间距/Pitch (mm)/线数范围/Poles			5.0/N=02~12P
剥线长度/Stripping length (mm)			6-7
使用温度范围/Operating temperature(°C)			-40~+105
符合RoHS环保要求/Conform to RoHS			Yes

MATERIAL:	/
MAT NO.:	/
STATUS:	/
APPD: LanChH	2020.05.26
CHKD: YUJZ	2020.05.26
DRAFT: ChenZh	2020.05.26
SIZE: A4	(mm) (inch)
TYPE: CUSTOMER DRAWING	SCALE: 2:1
DRAWING NO.: 10002118	REV: TO
NAME: DEGSON® NINGBO DEGSON ELECTRICAL CO., LTD	1/1
NAME: 宁波高松电子有限公司	

REV	ECN	DESCRIPTION	DRAFT	DATE