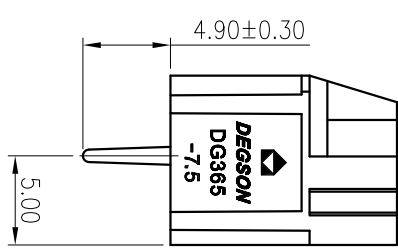
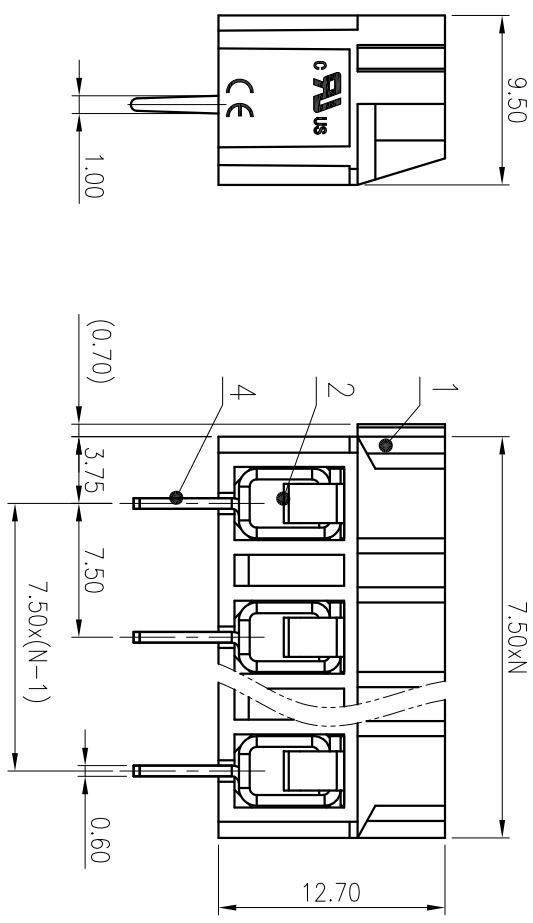
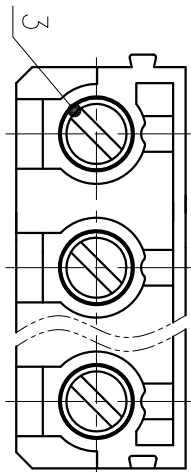
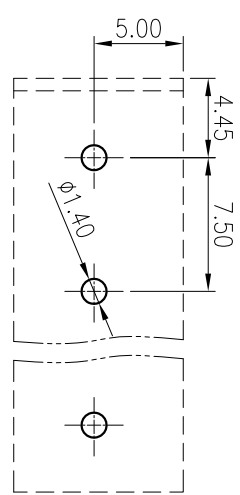


公差带 (General Tolerances)(mm)		0.1/10
0	>3	∅
3	~6	∇
6	~10	∇
10	~18	∇
±0.12	±0.18	∇
±0.22	±0.26	∇
±0.31	±0.37	∇
±0.57	±0.80	∇
±1.05	±1.15	∇
±1.60	±2.20	∇
±2.50		∇
>30	>180	∇
>50	>250	∇
>80	>315	∇
>120	>400	∇
>180	>500	∇
>250	>630	∇
>315	>800	∇
>400	>1000	∇
>500		∇
±2		∇



PCB LAYOUT



ITEM	NAME OF PART	MATERIAL	NOTES
4	Pin header	Copper alloy	M2.5/Sn plated
3	Screw	Steel	M2.5/In plated
2	Spring	Stainless steel	/
1	Housing	PBT	UL94V-0

UL 标准/UL Standard:	B	C	D
额定电压/电流/Rated Voltage(V)/Current(A)	300/15	/	300/10
IEC 标准/IEC Standard:			
额定电压/电流/Rated Voltage(V)/Current(A)	450/20		
工频耐压/Withstanding voltage(V/1Min)	AC2500		
螺丝扭矩/Torque Tightening(N·m/Lb·in)	M2.5: 0.29/2.58		
导线范围(硬线和软线)/Wire Range(rigid and flexible)(mm ² /AWG)	1.0~2.5/22~14		
间距/Pitch(mm)/线数范围/Poles	7.5/N=02~12P		
剥线长度/Stripping length(mm)	6~7		
使用温度范围/Operating temperature(°C)	-30~+120		
符合RoHS环保要求/Conform to RoHS	Yes		

SURFACE:

DEGSON® 宁波高松电子有限公司
NINGBO DEGSON ELECTRICAL CO., LTD

MATERIAL:	
MAT NO.:	/
STATUS:	/
APPD:lan	CHH 2020.05.15
CHKD:YU	JZh 2020.05.15
DRT: CMZ	2016.09.22
DRAWING NO.:	DG365-7.5-C01
TYPE:	CUSTOMER DRAWING
SCALE:	2.5:1 SHEET 1/1

REV	ECN	DESCRIPTION	DRFT	DATE
1				
2				
3				
4				