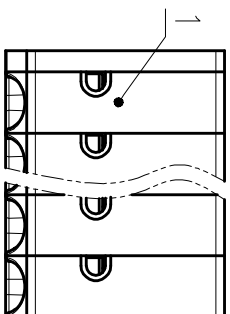
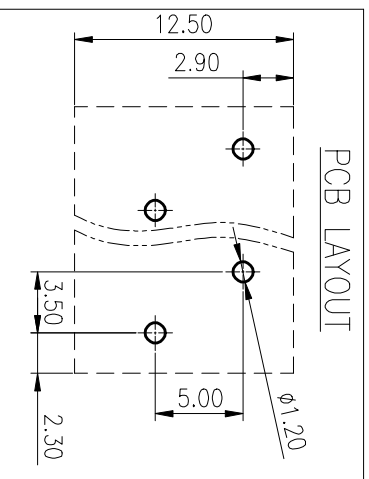
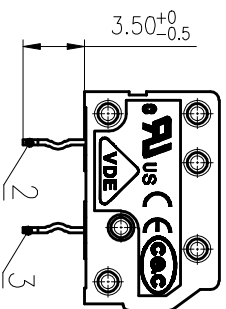
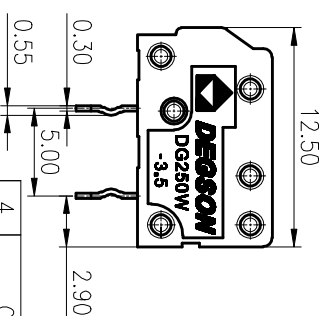
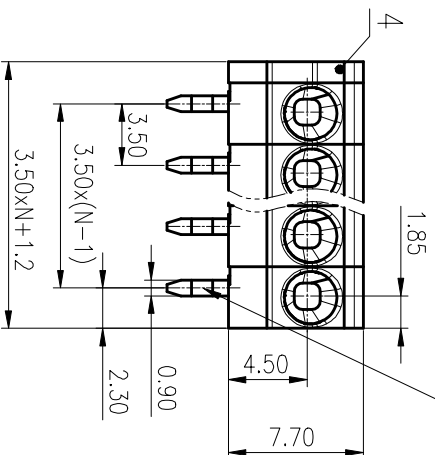


公差等级/General	tolerance/(mm)	0	>3	>6	>10	>18	>30	>50	>80	>120	>180	>250	>315	>400	>500	0.1/10
~	~	~	~	~	~	~	~	~	~	~	~	~	~	~	~	±Z
±0.12	±0.18	±0.22	±0.26	±0.31	±0.37	±0.57	±0.80	±0.93	±1.05	±1.15	±1.60	±2.20	±2.50	±2.50	±Z	±Z



the first pin at right is front pin



4	Cover	PA66	UL94V-0
3	Front PIN header	Copper alloy	Sn plated
2	Back Pin header	Copper alloy	Sn plated
1	Housing	PA66	UL94V-0
ITEM NAME OF PART MATERIAL NOTES			
UL 标准/UL Standard:			
额定电压/电涌/Rated Voltage(V)/Current(A)		B	C
IEC 标准/IEC Standard:		300/4	300/4
过压类别/Overvoltage Category/污染等级/ Pollution Degree			
III/3		III/2	II/2
额定电压/电涌/Rated Voltage(V)/Current(A)		/	250/3
工频耐压/Withstanding Voltage(V)/Min		/	AC2000
线径范围(硬线和软线)/Wire Range(rigid and flexible)(mm ² /AWG)		0.2~0.75/22~18	
间距/Pitch(mm)/线数范围/Poles		3.5/N=02~24P	
剥线长度/Stripping length(mm)		8~9	
使用温度范围/Operating temperature(°C)		-40~+105	
符合RoHS环保要求/Conform to RoHS		Yes	
SURFACE: /			
MATERIAL: /			
MAT NO.: /			
STATUS: /			
APPD: LIGL 2020.05.23		NAME: DEGSON® NINGBO DEGSON ELECTRICAL CO., LTD	
CHKD: Mek 2020.05.23		DG250W-3.5-XXP-1Y-100A(H)	
DRFT: LuoXM 2020.05.23		DRAWING NO.: DG250W-3.5-C03	
TYPE: CUSTOMER DRAWING		SCALE: 2.5:1 SHEET	
REV		REV	
ECN		REV	
DESCRIPTION		T2	
DRFT		1/1	
DATE			
SIZE: A4			
(mm)			
(inch)			