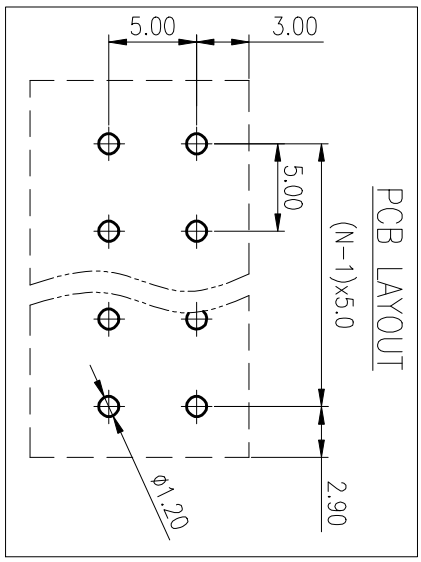
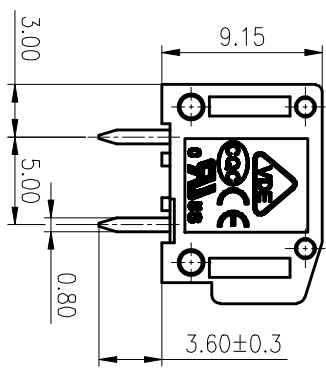
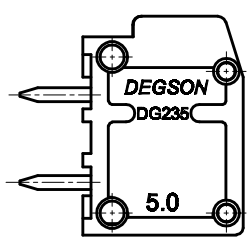
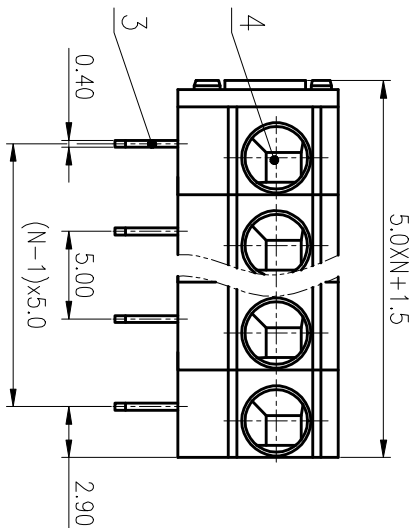
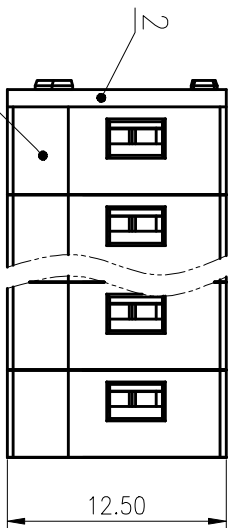


公差等级/General Tolerances(mm)		公差等级/General Tolerances(mm)										公差等级/General Tolerances(mm)		
0	>3	>6	>10	>18	>30	>50	>80	>120	>180	>250	>315	>400	>500	0.1/1/10
~	~	~	~	~	~	~	~	~	~	~	~	~	~	±Z
±0.12	±0.18	±0.22	±0.26	±0.31	±0.37	±0.57	±0.80	±0.93	±1.05	±1.15	±1.60	±2.20	±2.50	±Z



UL 标准/UL Standard:	B	C	D
额定电压/电涌/Rated Voltage(V)/Current(A)	300/5	150/5	300/5
IEC 标准/IEC Standard:			
过压类别/Overvoltage Category/污秽等级/Pollution Degree	III/3	III/2	I/2
额定冲击电压 (kV)/Rate Impulse Voltage (kV)	250/17.5	320/17.5	630/17.5
额定电压/电涌/Rated Voltage(V)/Current(A)	4	4	4
额定冲击电压 (kV)/Rate Impulse Voltage (kV)	4	4	4
线径范围 (硬线和软线)/Wire Range (rigid and flexible) (mm ² /AWG)	0.2~1.5	2.5(Sol)/20~18	
厚度/Pitch (mm)/线径范围/Poles	5.0	N=02~24P	
剥线长度/Stripping length (mm)	10		
使用温度范围/Operating Temperature (°C)	-40~+105		
符合RoHS要求/Conform to RoHS	Yes		
标准颜色编号/Standard color number:			
PANTONE / RAL			

DEGSON® NINGBO DEGSON ELECTRICAL CO., LTD
 宁波高松电子有限公司

NAME: DG235W-5.0-XXP-1Y-00A(H)

4	Spring	Stainless steel	/
3	Pin header	Copper alloy	Sn Plated
2	Cover	PA66	UL94V-0
1	Housing	PA66	UL94V-0

ITEM	NAME OF PART	MATERIAL	NOTES
1			

MATERIAL:	/	SURFACE:	/
MAT NO.:	/		
STATUS:	/		
APPD: LiGL	2020.06.01	NAME:	
CHKD: Mek	2020.06.01	DRAWING NO.:	DG235W-5.0-C01
DRT: MSh	2020.06.01	TYPE:	CUSTOMER DRAWING
SIZE: A4		SCALE:	2.5:1 SHEET
		REV	T0
		1/1	