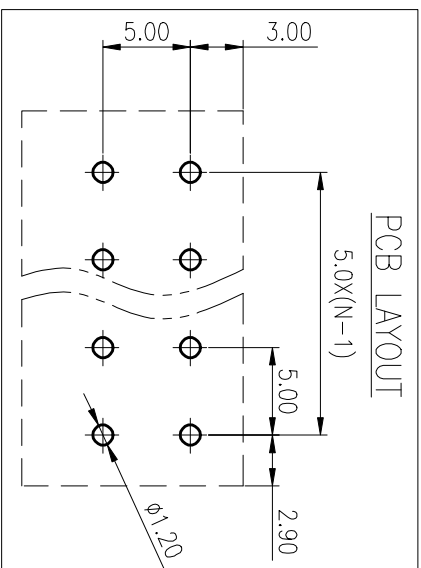
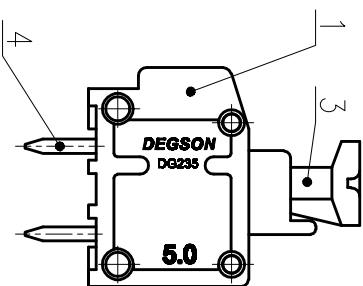
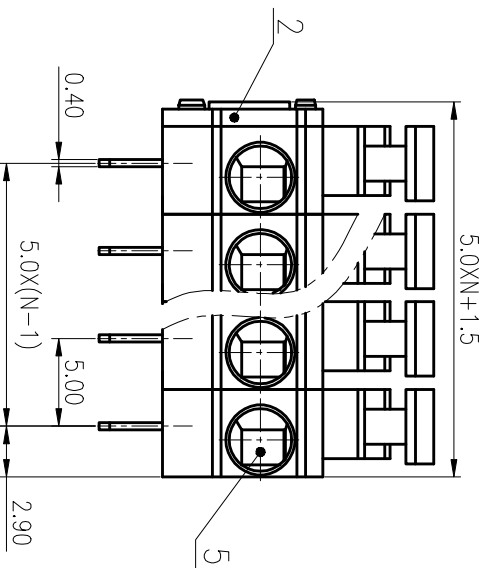
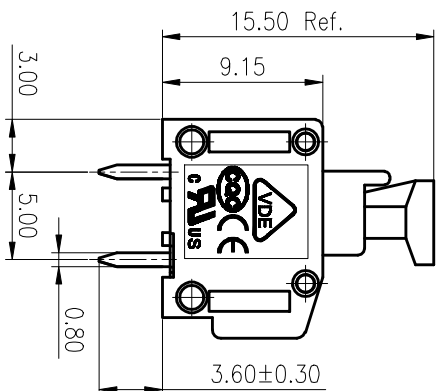
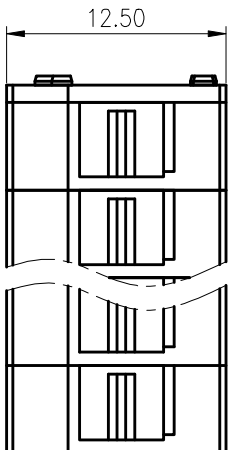


公差等级/General	tolerance/(mm)	0	>3	>6	>10	>18	>30	>50	>80	>120	>180	>280	>315	>400	>500	0.1/10
~	~	~	~	~	~	~	~	~	~	~	~	~	~	~	~	±Z
±0.12	±0.18	±0.22	±0.26	±0.31	±0.37	±0.57	±0.80	±0.93	±1.05	±1.15	±1.60	±2.20	±2.50			



ITEM	NAME OF PART	MATERIAL	NOTES
1	Housing	PA66	UL94V-0
2	Cover	PA66	UL94V-0
3	Button	PA66	UL94V-0
4	Pin header	Copper alloy	Sn Plated
5	Spring	Stainless steel	/

REV	ECN	DESCRIPTION	DRAFT	DATE
1				

MATERIAL:	/	SURFACE:	/
MAT NO.:	/		
STATUS:	/		
APPD:	LiGL 202.05.28	NAME:	DEGSON® NINGBO DEGSON ELECTRICAL CO., LTD
CHKD:	Mek 2020.05.28	DRAWING NO.:	DG235-5.0-XXP-1Y-00A(H)
DRAFT:	MSh 2020.05.28	TYPE:	CUSTOMER DRAWING
SIZE:	A4	SCALE:	2.5:1 SHEET
	(mm)		1/1

UL 标准/UL Standard:	B	C	D
额定电压/电涌/Rated Voltage(V)/Current(A)	300/5	150/5	300/5
IEC 标准/IEC Standard:			
过压类别/Overvoltage Category/污秽等级/Pollution Degree	III/3	III/2	II/2
额定电压/电涌/Rated Voltage(V)/Current(A)	250/17.5	320/17.5	630/17.5
额定电涌电压(KV)/Rate Impulse Voltage(KV)	4	4	4
线径范围(硬线和软线)/Wire Range(rigid and flexible)(mm ² /AWG)	0.2~1.5,2.5(Sol)/20~18		
间距/Pitch(mm)/线径范围/Poles	5.0/N=02~24P		
剥线长度/Stripping length(mm)	10		
使用温度范围/Operating Temperature(°C)	-40~+105		
符合RoHS要求/Conform to RoHS	Yes		
标准颜色编号/Standard color number:	/		
PANTONE / RAL	/		